

ACCESSORIES

Ball Drop Relay BDR100

Inductive Coil M114000040

Bulk Wire:

Blue Wire Qty. 1,000 ft.CGPWBLU1000

White Wire Qty. 1,000 ft.CGPWWHT1000

Yellow Wire. Qty. 1,000 ft.CGPWYEL1000

PARTS CATALOG
Charging Station



CGSL01AF1

Station Loop only

SERIAL NUMBER

R00700001001 - R00700999999

CGSL11AF1

Station Loop plus 1-Zone

SERIAL NUMBER

R00600001001 - R00600999999

CGSL21AF1

Station Loop plus 2-Zones

SERIAL NUMBER

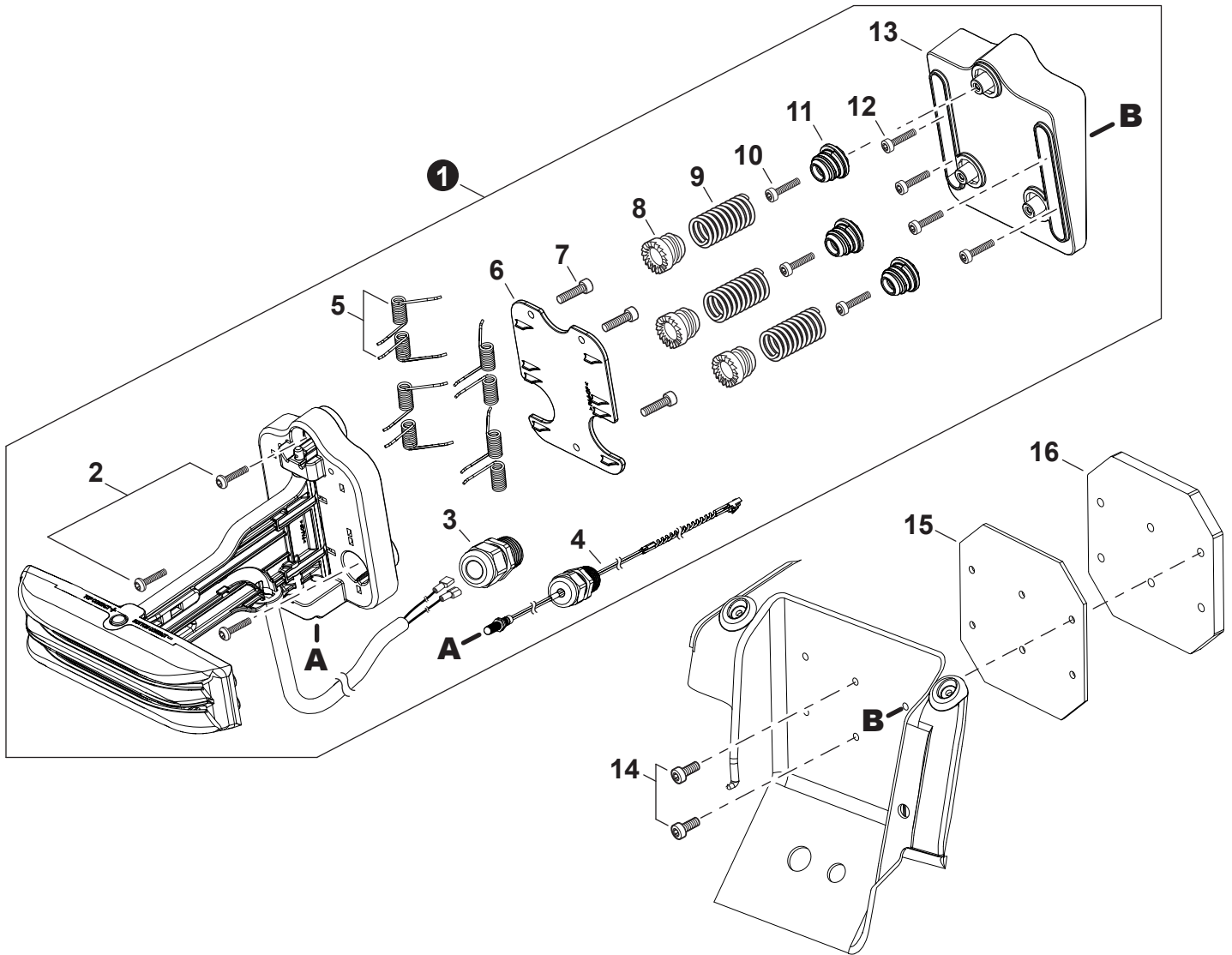
R00800001001 - R00800999999

ECHO Incorporated

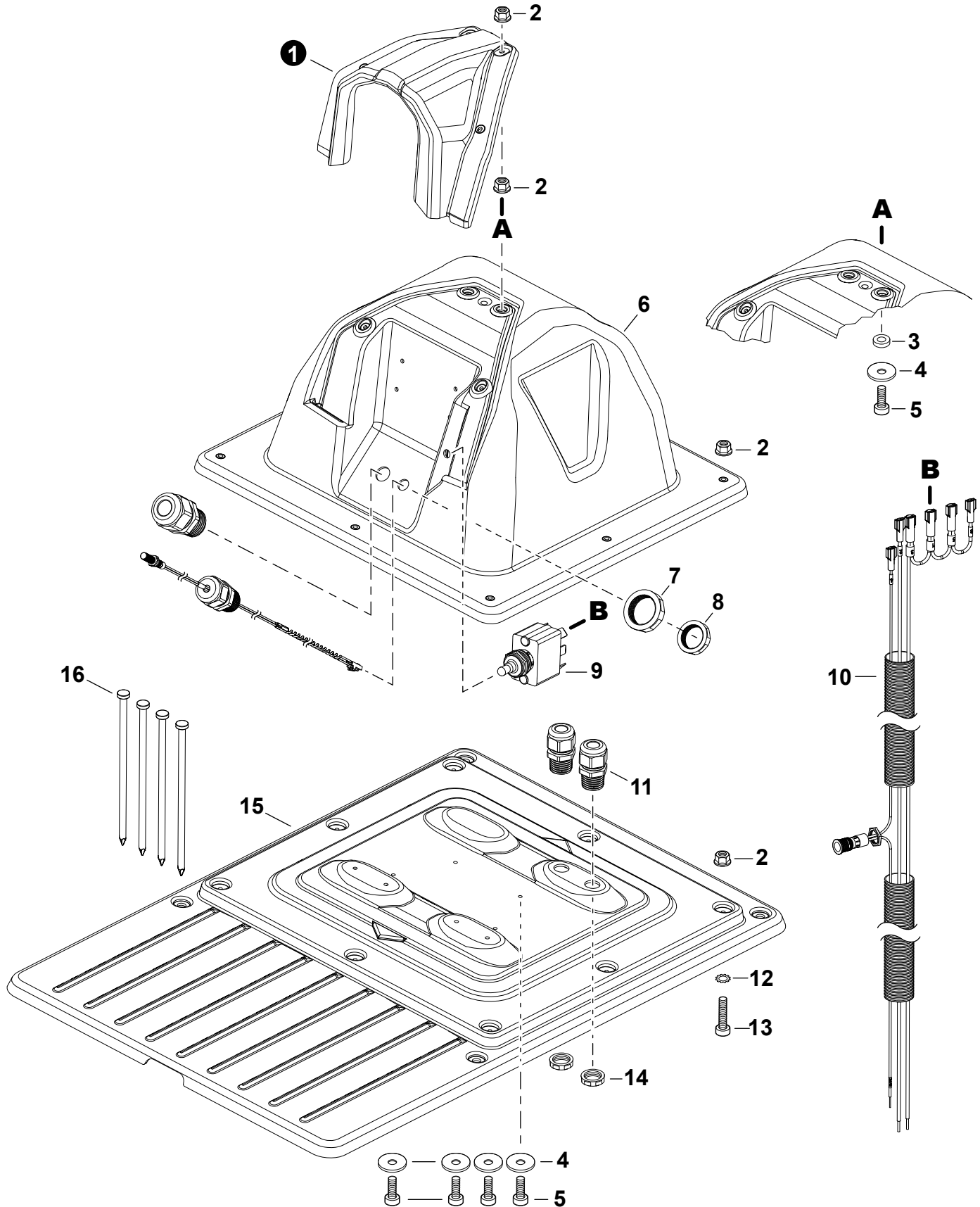
400 Oakwood Road, Lake Zurich, Illinois 60047

WWW.ECHO-USA.COM

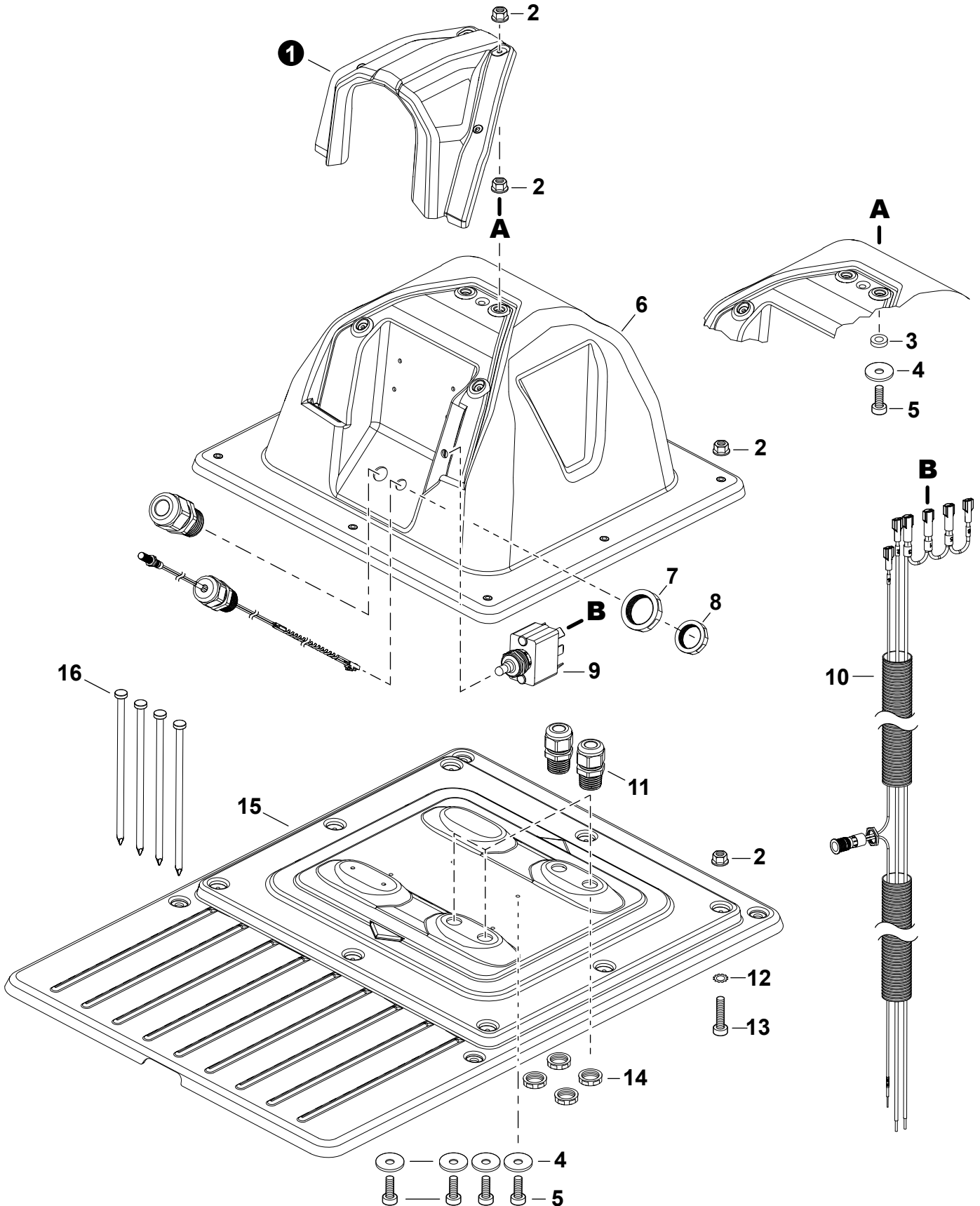
Charging Arm..... 3
Station Enclosure: CGSL01AF1 4
Station Enclosure: CGSL01AF1 5
Station Enclosure: CGSL11AF1..... 6
Station Enclosure: CGSL11AF1..... 7
Station Enclosure: CGSL21AF1 8
Station Enclosure: CGSL21AF1 9
Electronics: CGSL01AF1 10
Electronics: CGSL11AF1 11
Electronics: CGSL21AF1 12
Indicator Panel: CGSL01AF1..... 13
Indicator Panel: CGSL11AF1 14
Indicator Panel: CGSL21AF1..... 15
Tools 16



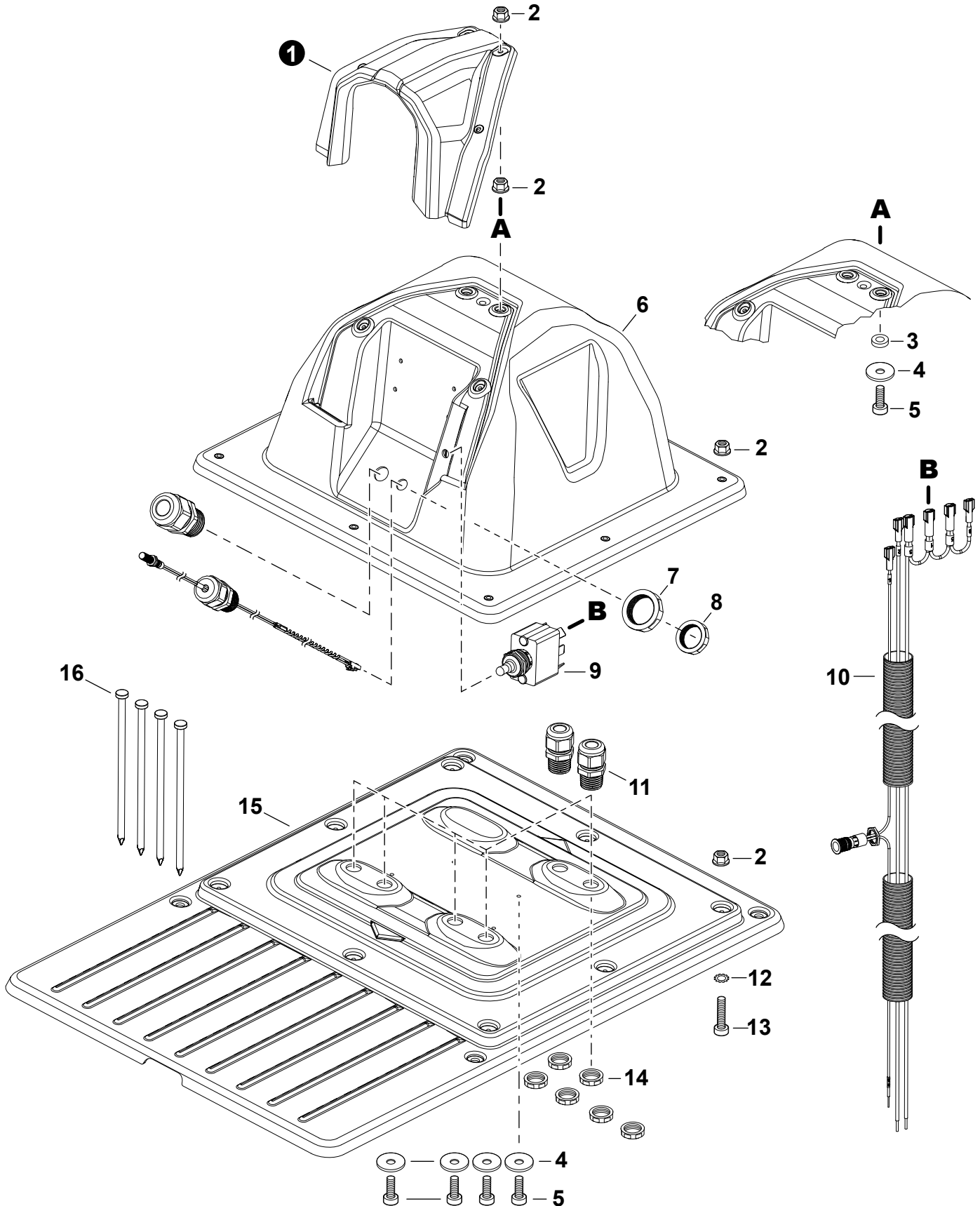
NO.	PART NUMBER	QTY.	DESCRIPTION
1	P021052960	1	CHARGING ARM KIT
2	V805000230	3	+BOLT, TORX M5X25
3	V139000140	1	+GROMMET, CABLE - BLACK 1/2"
4	C130001010	1	+HARNESS, WIRE - CHARGING ARM
5	P021052980	4	+SPRING SET, TORSION
6	C557000580	1	+PLATE, PROTECTION
7	V805000240	3	+BOLT, TORX M5X12
8	V456000271	3	+HOLDER, SPRING
9	V450000780	3	+SPRING, COMPRESSION
10	V805000010	3	+BOLT, TORX M5X20
11	V456000260	3	+HOLDER, SPRING
12	V805000360	4	+BOLT, TORX M5X30
13	C623000260	1	+BRACKET, MOUNTING
14	V805000150	2	BOLT, TORX M5X16
15	V109000370	1	GASKET, MOUNTING
16	V150004600	1	PLATE, MOUNTING



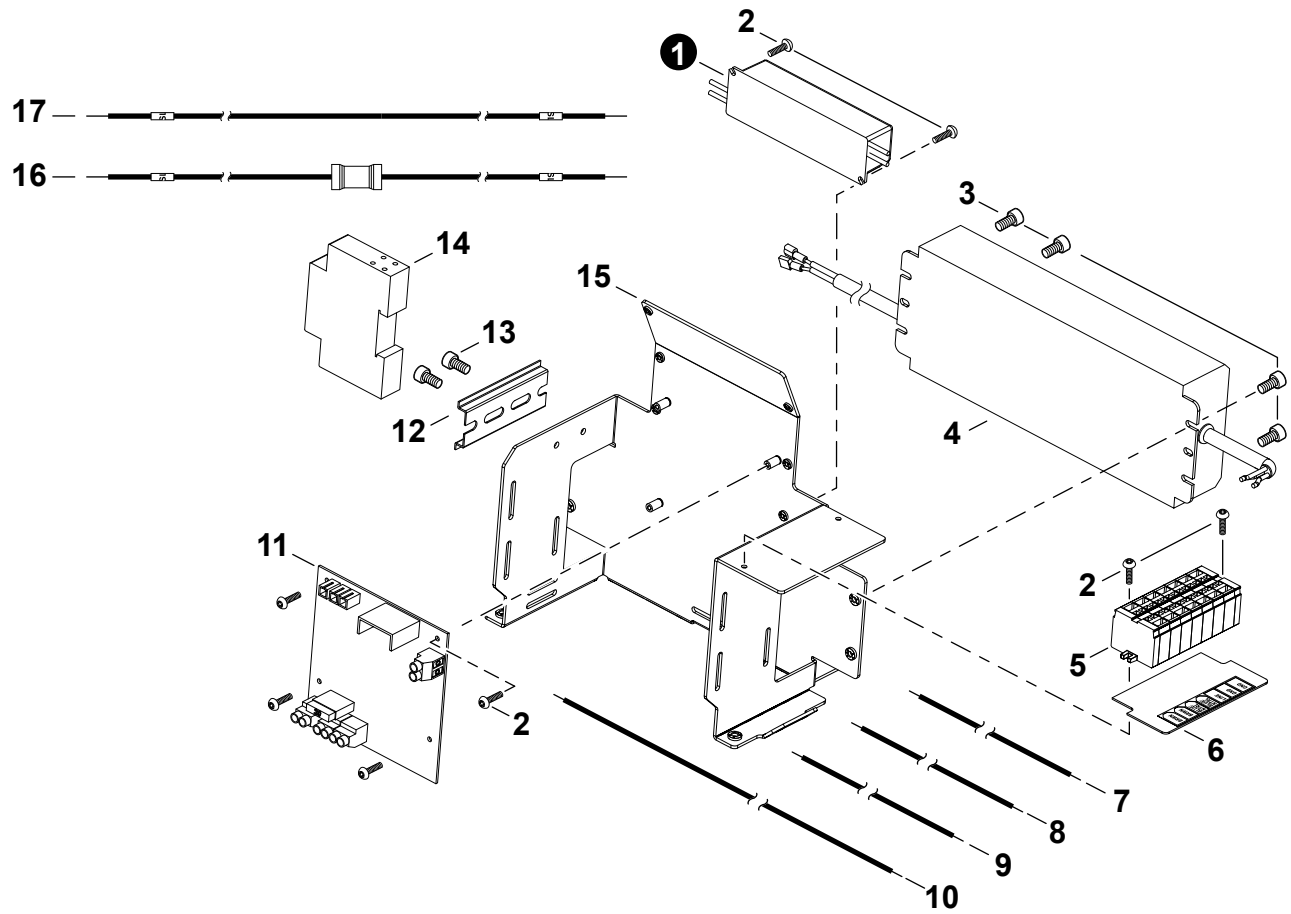
NO.	PART NUMBER	QTY.	DESCRIPTION
1	J139000520	1	COVER, DEBRIS
2	V263000550	24	NUT M5
3	V322000060	4	WASHER, M4
4	V303000390	8	WASHER, M5
5	V805000160	8	BOLT, TORX M5X20
6	C127000020	1	COVER, STATION
7	K493000050	1	NUT, GROMMET - BLACK 1/2"
8	K492000010	1	NUT, GROMMET - BLACK 3/8"
9	A440003100	1	SWITCH, ON/OFF
10	C130001000	1	HARNESS, WIRE - ON/OFF SWITCH
11	V139000160	2	GROMMET, CABLE - GRAY 1/2"
12	V340000580	8	WASHER, LOCK
13	V805000360	8	BOLT, TORX M5X30
14	K493000060	2	NUT, GROMMET - GRAY 1/2"
15	C127000010	1	BASE, STATION CGSL01AF1
16	K312000300	4	SPIKE



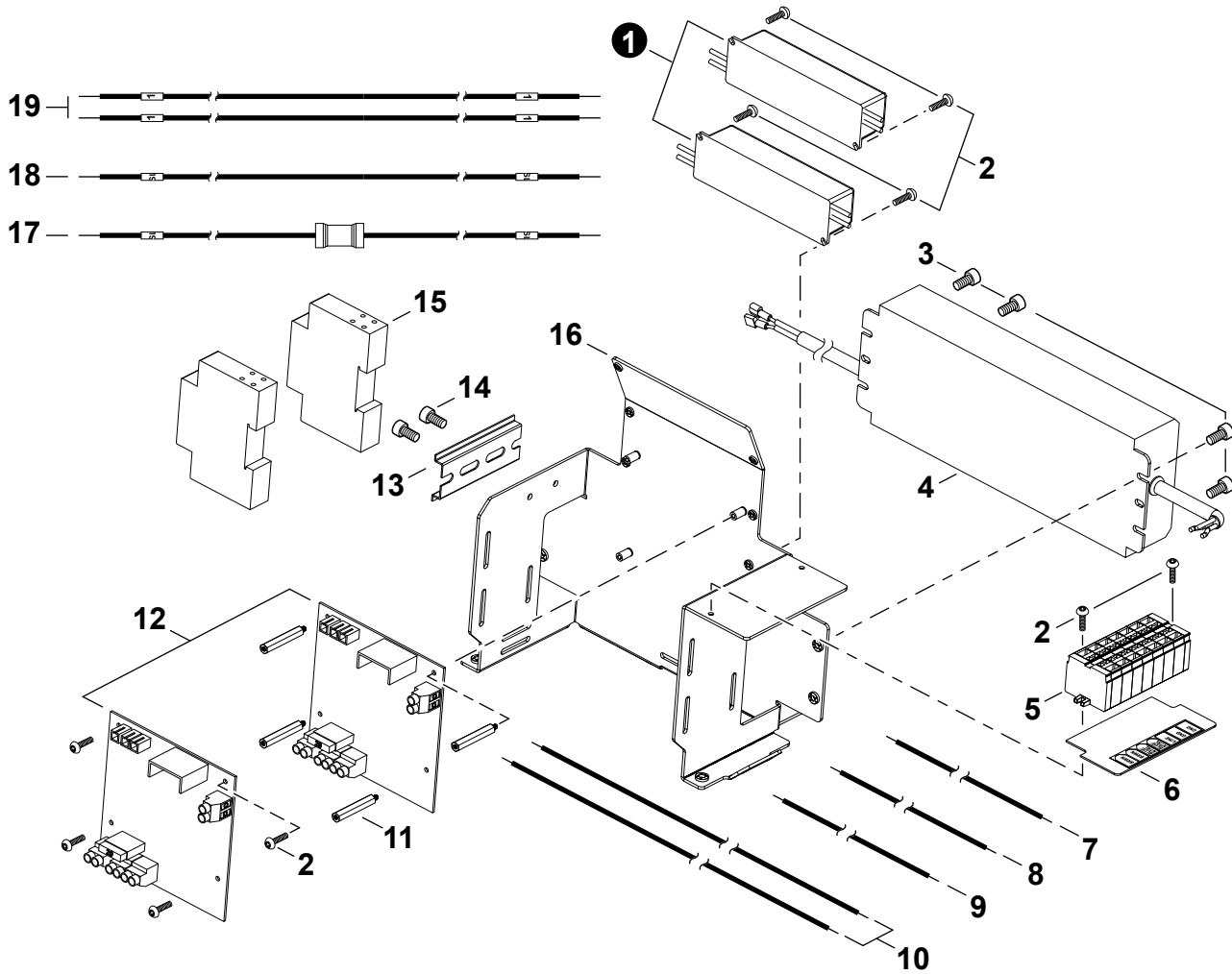
NO.	PART NUMBER	QTY.	DESCRIPTION
1	J139000520	1	COVER, DEBRIS
2	V263000550	24	NUT M5
3	V322000060	4	WASHER, M4
4	V303000390	8	WASHER, M5
5	V805000160	8	BOLT, TORX M5X20
6	C127000020	1	COVER, STATION
7	K493000050	1	NUT, GROMMET - BLACK 1/2"
8	K492000010	1	NUT, GROMMET - BLACK 3/8"
9	A440003100	1	SWITCH, ON/OFF
10	C130001000	1	HARNESS, WIRE - ON/OFF SWITCH
11	V139000160	4	GROMMET, CABLE - GRAY 1/2"
12	V340000580	8	WASHER, LOCK
13	V805000360	8	BOLT, TORX M5X30
14	K493000060	4	NUT, GROMMET - GRAY 1/2"
15	C127000030	1	BASE, STATION CGSL11AF1
16	K312000300	4	SPIKE



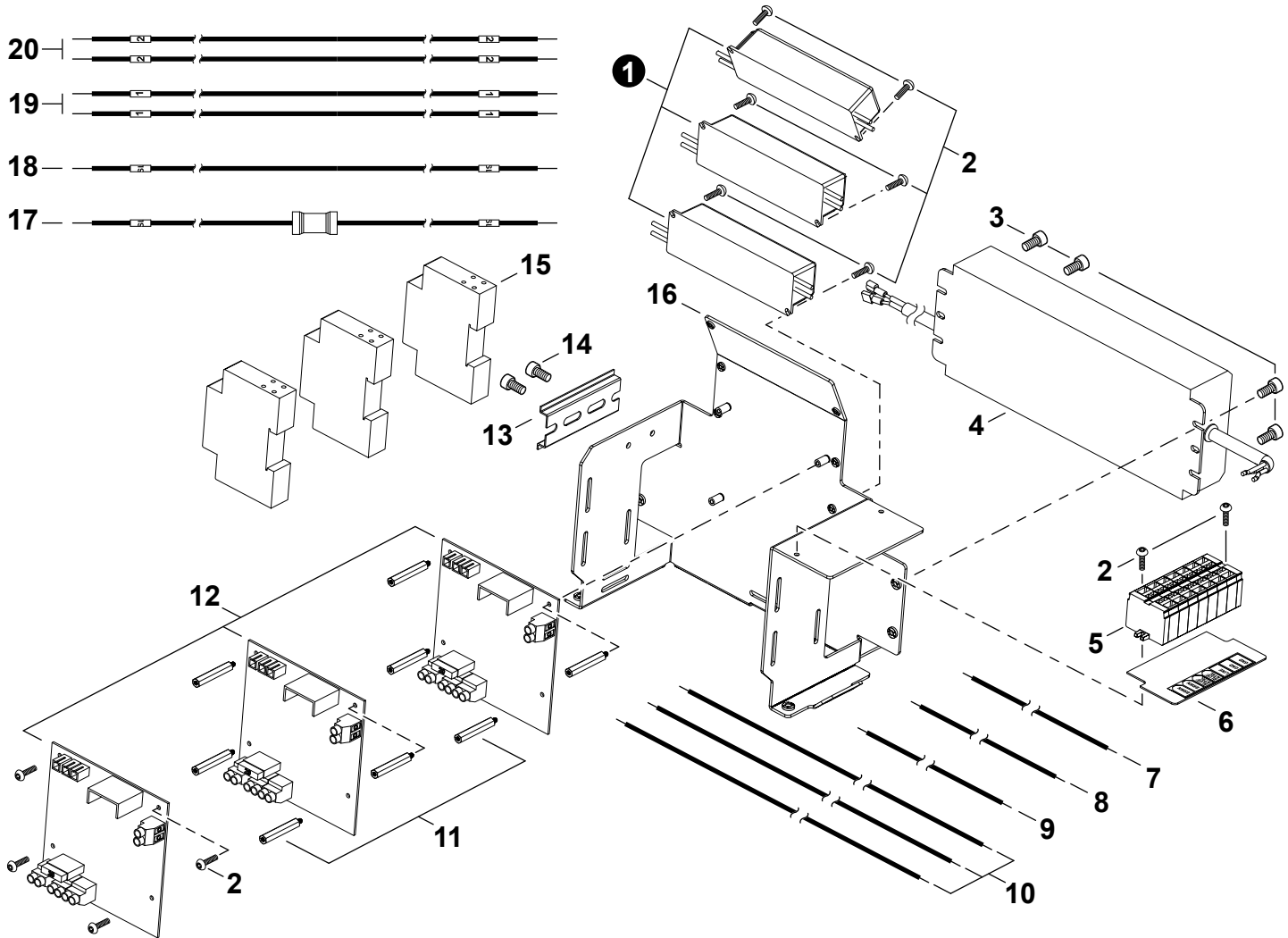
NO.	PART NUMBER	QTY.	DESCRIPTION
1	J139000520	1	COVER, DEBRIS
2	V263000550	24	NUT M5
3	V322000060	4	WASHER, M4
4	V303000390	8	WASHER, M5
5	V805000160	8	BOLT, TORX M5X20
6	C127000020	1	COVER, STATION
7	K493000050	1	NUT, GROMMET - BLACK 1/2"
8	K492000010	1	NUT, GROMMET - BLACK 3/8"
9	A440003100	1	SWITCH, ON/OFF
10	C130001000	1	HARNESS, WIRE - ON/OFF SWITCH
11	V139000160	6	GROMMET, CABLE - GRAY 1/2"
12	V340000580	8	WASHER, LOCK
13	V805000360	8	BOLT, TORX M5X30
14	K493000060	6	NUT, GROMMET - GRAY 1/2"
15	C127000040	1	BASE, STATION CGSL21AF1
16	K312000300	4	SPIKE



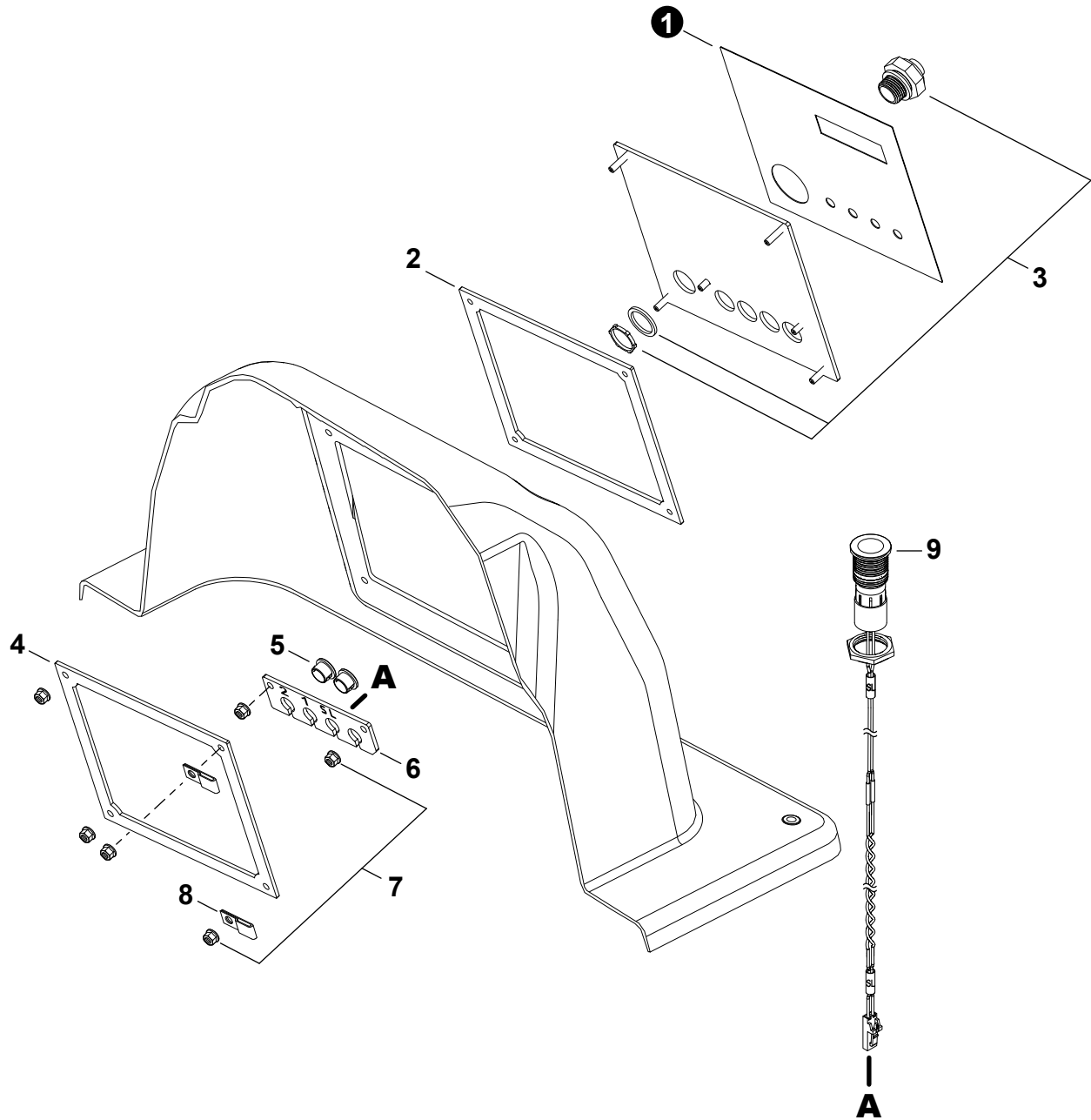
NO.	PART NUMBER	QTY.	DESCRIPTION
1	G015000370	1	INVERTER, CONTROL BOARD
2	V251000240	8	SCREW 3X8
3	V804000040	4	BOLT, TORX M4X10
4	P021052990	1	INVERTER ASSY, POWER
5	P021052970	1	TERMINAL SET, BLOCK
6	X532005480	1	LABEL, OPERATION
7	V485003330	1	LEAD - GREEN, 150 MM
8	V485003290	1	LEAD - BLUE, 150 MM
9	V485003310	1	LEAD - BROWN, 150 MM
10	V485003300	1	LEAD - GREEN, 475 MM
11	A047000410	1	BOARD, CONTROL
12	C628000310	1	RAIL, DIN
13	V805000140	2	BOLT, TORX M5X12
14	C137000550	1	PROTECTOR, SURGE
15	A250000570	1	BRACKET, CONTROL
16	M114000040	1	COIL, INDUCTOR
17	V485003320	1	LEAD, SURGE - SL - RED 550 MM



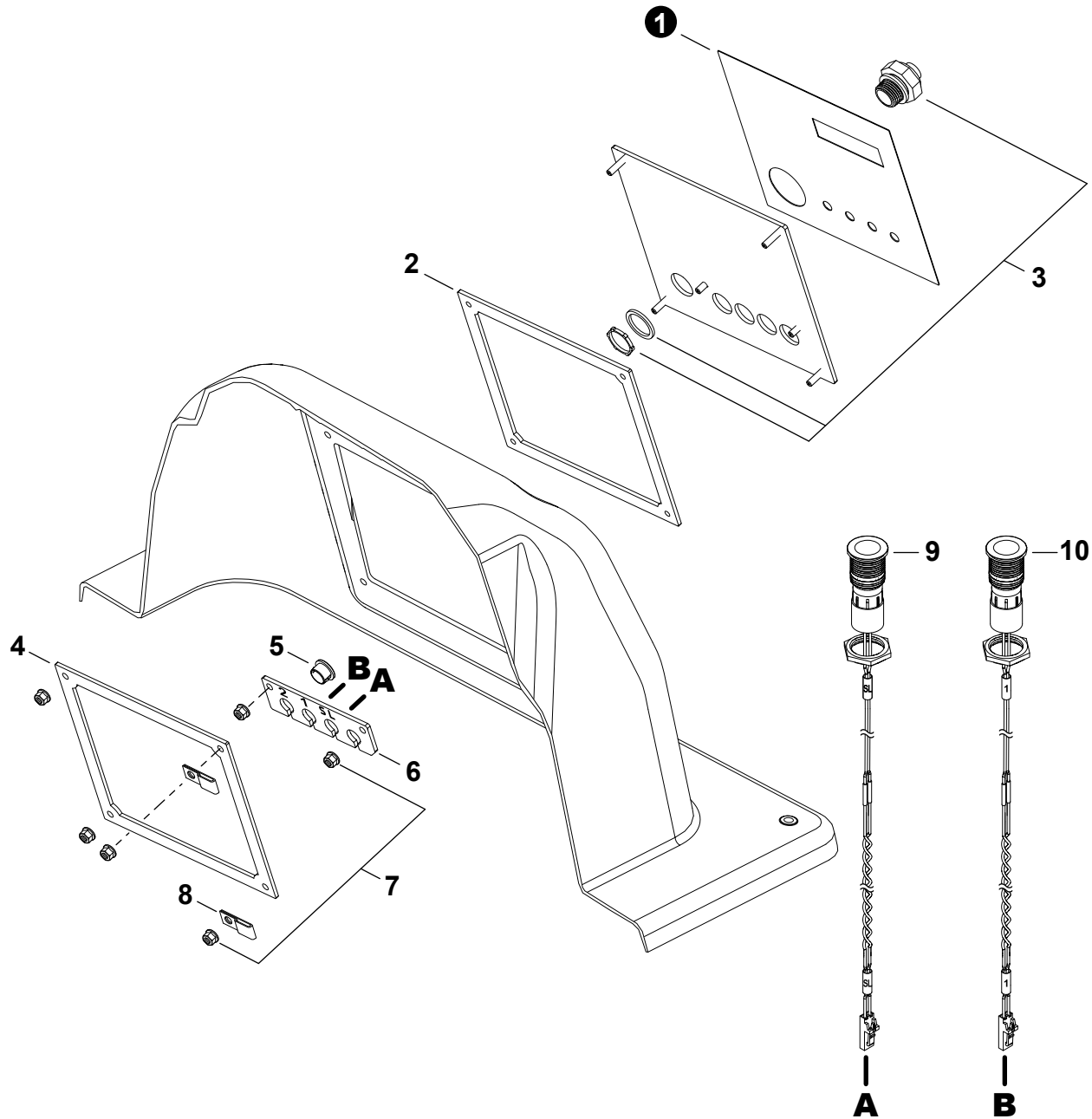
NO.	PART NUMBER	QTY.	DESCRIPTION
1	G015000370	2	INVERTER, CONTROL BOARD
2	V251000240	10	SCREW 3X8
3	V804000040	4	BOLT, TORX M4X10
4	P021052990	1	INVERTER ASSY, POWER
5	P021052970	1	TERMINAL SET, BLOCK
6	X532005480	1	LABEL, OPERATION
7	V485003330	1	LEAD - GREEN, 150 MM
8	V485003290	1	LEAD - BLUE, 150 MM
9	V485003310	1	LEAD - BROWN, 150 MM
10	V485003300	2	LEAD - GREEN, 475 MM
11	V375001080	4	SPACER, CONTROL BOARD
12	A047000410	2	BOARD, CONTROL
13	C628000310	1	RAIL, DIN
14	V805000140	2	BOLT, TORX M5X12
15	C137000550	2	PROTECTOR, SURGE
16	A250000570	1	BRACKET, CONTROL
17	M114000040	1	COIL, INDUCTOR
18	V485003320	1	LEAD, SURGE - SL - RED 550 MM
19	V485003340	2	LEAD, SURGE - ZONE 1 - RED 550 MM



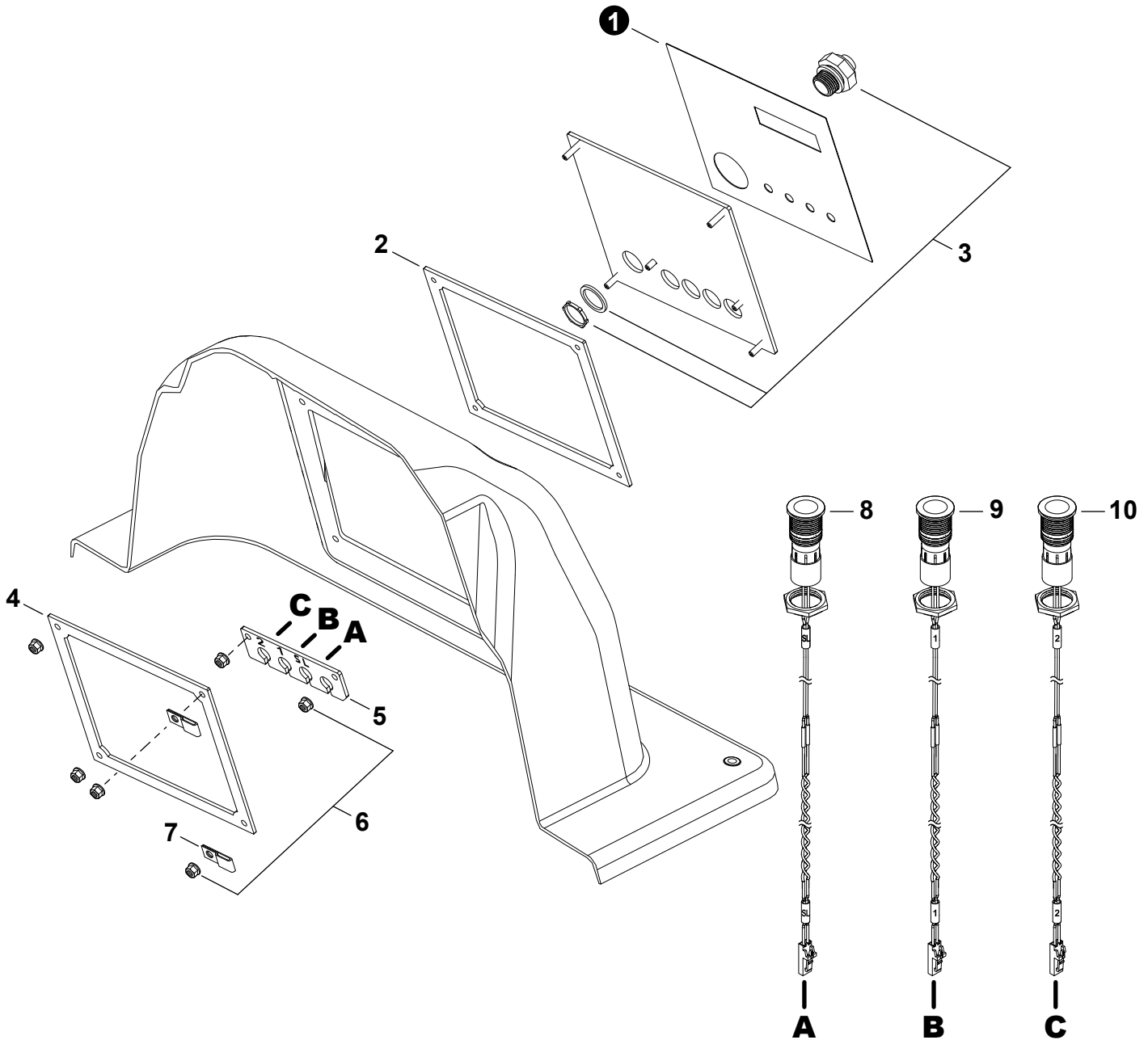
NO.	PART NUMBER	QTY.	DESCRIPTION
1	G015000370	3	INVERTER, CONTROL BOARD
2	V251000240	12	SCREW 3X8
3	V804000040	4	BOLT, TORX M4X10
4	P021052990	1	INVERTER ASSY, POWER
5	P021052970	1	TERMINAL SET, BLOCK
6	X532005480	1	LABEL, OPERATION
7	V485003330	1	LEAD - GREEN, 150 MM
8	V485003290	1	LEAD - BLUE, 150 MM
9	V485003310	1	LEAD - BROWN, 150 MM
10	V485003300	3	LEAD - GREEN, 475 MM
11	V375001080	8	SPACER, CONTROL BOARD
12	A047000410	3	BOARD, CONTROL
13	C628000310	1	RAIL, DIN
14	V805000140	2	BOLT, TORX M5X12
15	C137000550	3	PROTECTOR, SURGE
16	A250000570	1	BRACKET, CONTROL
17	M114000040	1	COIL, INDUCTOR
18	V485003320	1	LEAD, SURGE - SL - RED 550 MM
19	V485003340	2	LEAD, SURGE - ZONE 1 - RED 550 MM
20	V485003350	2	LEAD, SURGE - ZONE 2 - RED 550 MM



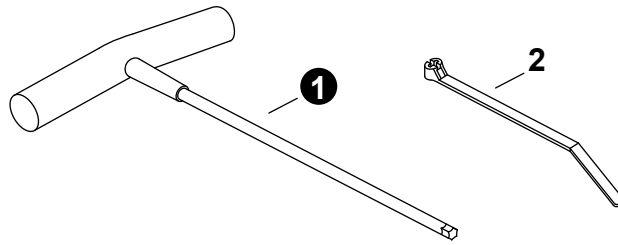
NO.	PART NUMBER	QTY.	DESCRIPTION
1	X505010950	1	LABEL, CAUTION - ISO
2	V109000380	1	GASKET, PANEL
3	V139000150	1	CONNECTOR, CONDUIT - GRAY 1/2"
4	K262000080	1	BRACKET, MOUNTING
5	V162000900	2	PLUG, LED
6	G386000030	1	PLATE, INDICATOR
7	V263000550	6	NUT M5
8	V490001670	2	CLIP, CABLE TIE
9	C130001020	1	HARNES, WIRE - LED SL



NO.	PART NUMBER	QTY.	DESCRIPTION
1	X505010950	1	LABEL, CAUTION - ISO
2	V109000380	1	GASKET, PANEL
3	V139000150	1	CONNECTOR, CONDUIT - GRAY 1/2"
4	K262000080	1	BRACKET, MOUNTING
5	V162000900	1	PLUG, LED
6	G386000030	1	PLATE, INDICATOR
7	V263000550	6	NUT M5
8	V490001670	2	CLIP, CABLE TIE
9	C130001020	1	HARNESS, WIRE - LED SL
10	C130001030	1	HARNESS, WIRE - LED 1



NO.	PART NUMBER	QTY.	DESCRIPTION
1	X505010950	1	LABEL, CAUTION - ISO
2	V109000380	1	GASKET, PANEL
3	V139000150	1	CONNECTOR, CONDUIT - GRAY 1/2"
4	K262000080	1	BRACKET, MOUNTING
5	G386000030	1	PLATE, INDICATOR
6	V263000550	6	NUT M5
7	V490001670	2	CLIP, CABLE TIE
8	C130001020	1	HARNESS, WIRE - LED SL
9	C130001030	1	HARNESS, WIRE - LED 1
10	C130001040	1	HARNESS, WIRE - LED 2



NO.	PART NUMBER	QTY.	DESCRIPTION
1	X603000080	1	DRIVER, T-27 TORX
2	V495003710	13	TIE, CABLE