

ACCESSORIES

Wheel Brush Kit YB06200004

Groomer Kit..... YB06200013

Bulk Wire:

Yellow Wire. Qty. 1,000 ft. CGPWYEL1000

White Wire Qty. 1,000 ft..... CGPWWHT1000

Blue Wire Qty. 1,000 ft..... CGPWBLU1000

PARTS CATALOG

**TM-2000
Turf Mower**



SERIAL NUMBER

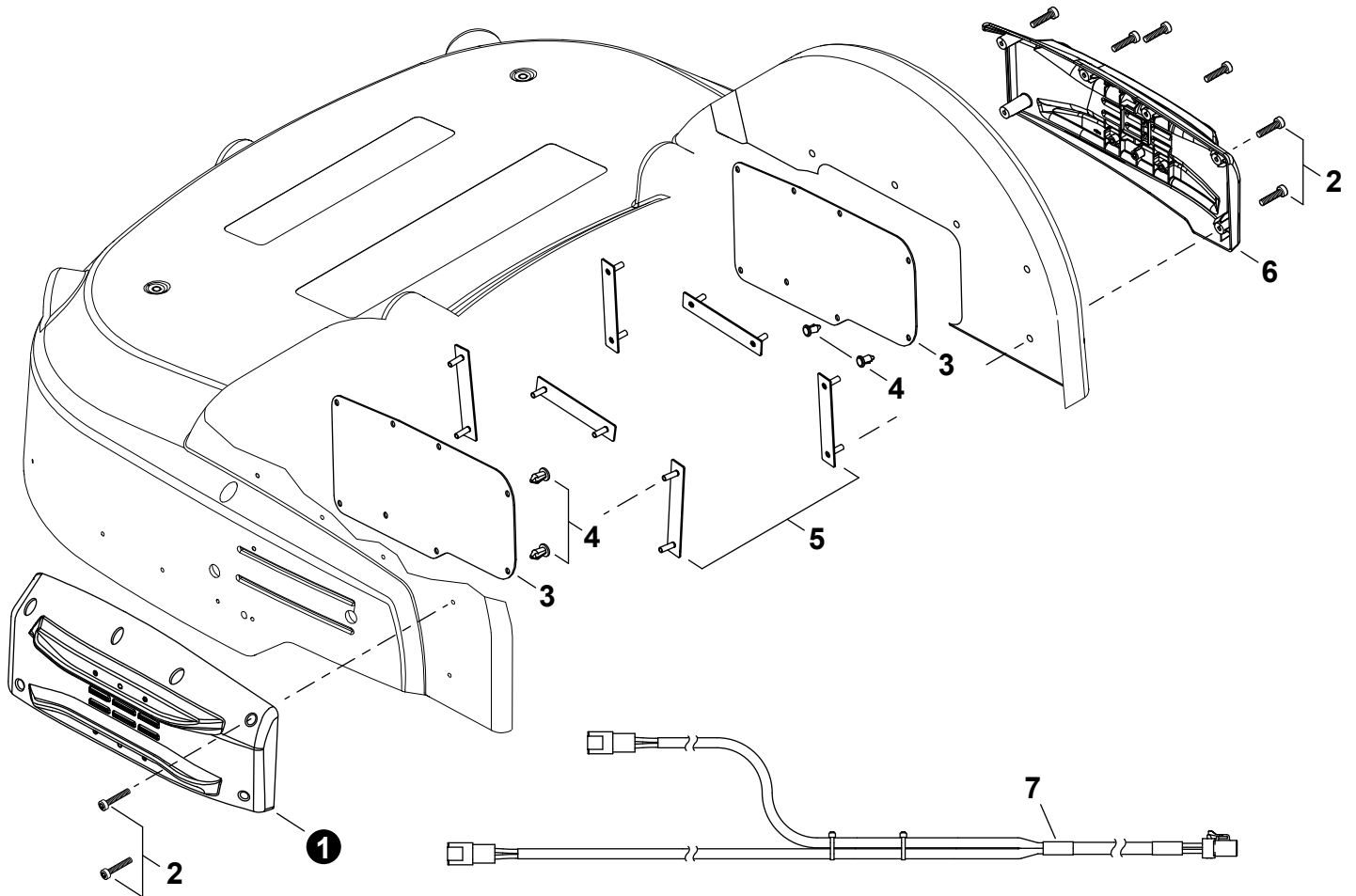
ESBM000104 - ESBM999999

ECHO Incorporated

400 Oakwood Road, Lake Zurich, Illinois 60047

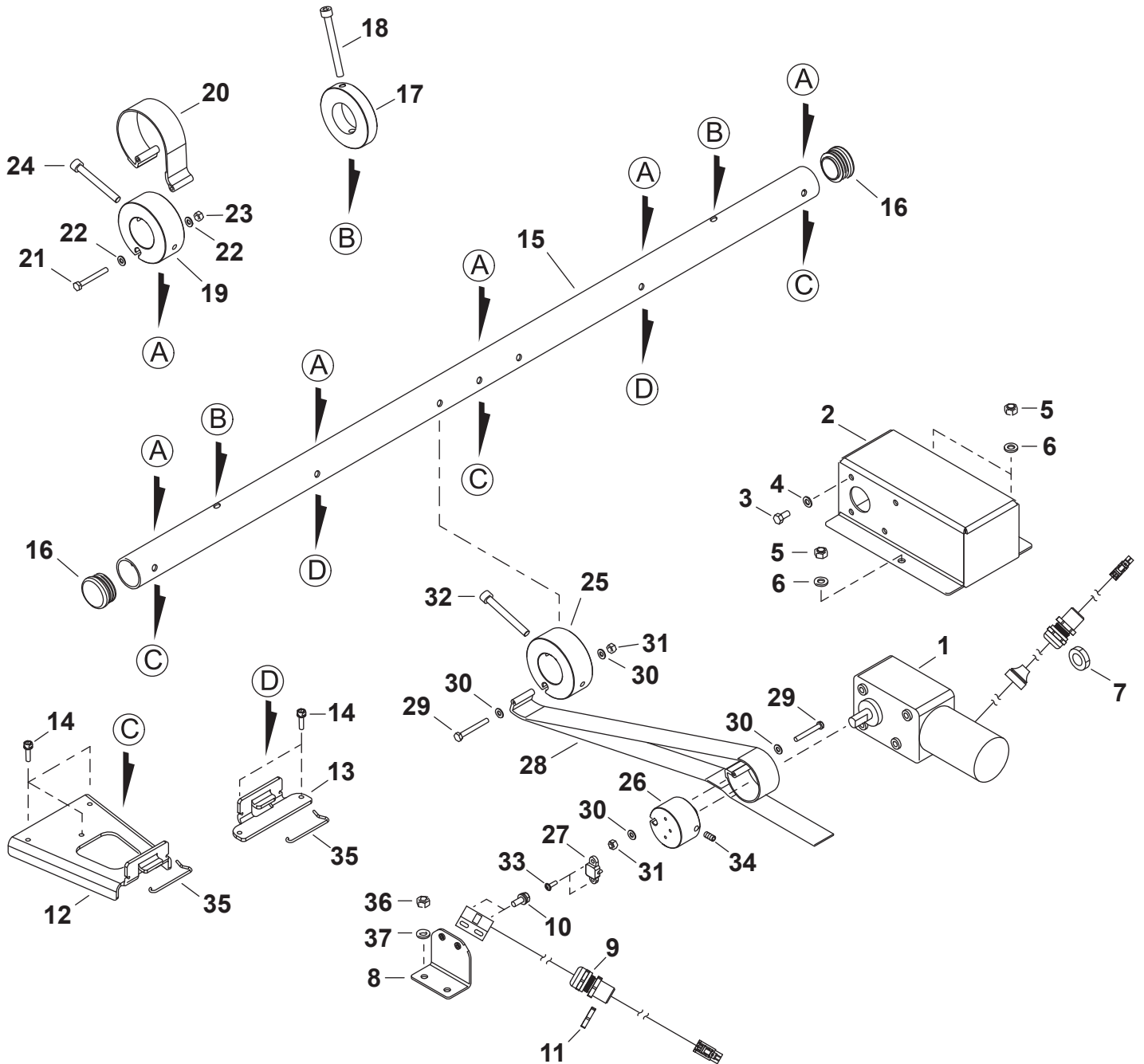
WWW.ECHO-USA.COM

Charging Panels.....	3
Mower Body.....	4
Mower Body.....	5
Cutting Height.....	6
Cutting Height.....	7
Electrical Box, Battery and Housing	8
Electrical Box, Battery and Housing	9
Lift Sensors	10
Lift Sensors	11
Wheels, Motor and Gear box.....	12
Wheels, Motor and Gear box.....	13
Cutting Head	14
Cutting Head	15
Cutting Head	16
Cutting Head	17
Electrical Parts	18
Electrical Parts	19
Main Frame	20
Main bars.....	21
Accessories.....	22

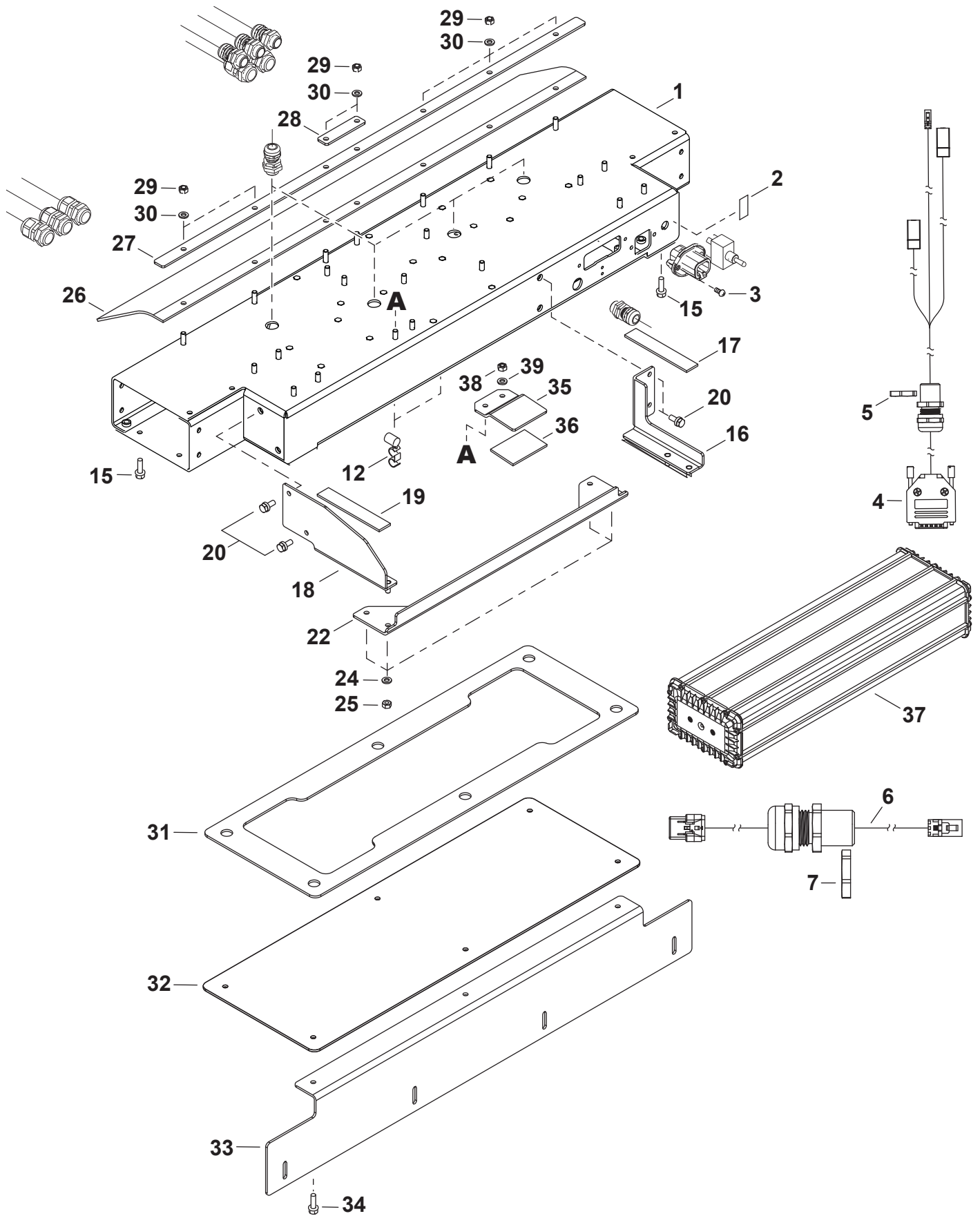


NO.	PART NUMBER	QTY.	DESCRIPTION
1	YB06400002	1	PANEL, CHARGING - LEFT
2	YB53105025	12	BOLT, TORX M5X25
3	YB01300009	2	COVER, CHARGE CONTACTS
4	YB01200015	14	CLIP
5	YB00300024	6	BRACKET, MOUNTING
6	YB06400001	1	PANEL, CHARGING - RIGHT
7	YB03300062	1	CABLE, CHARGING

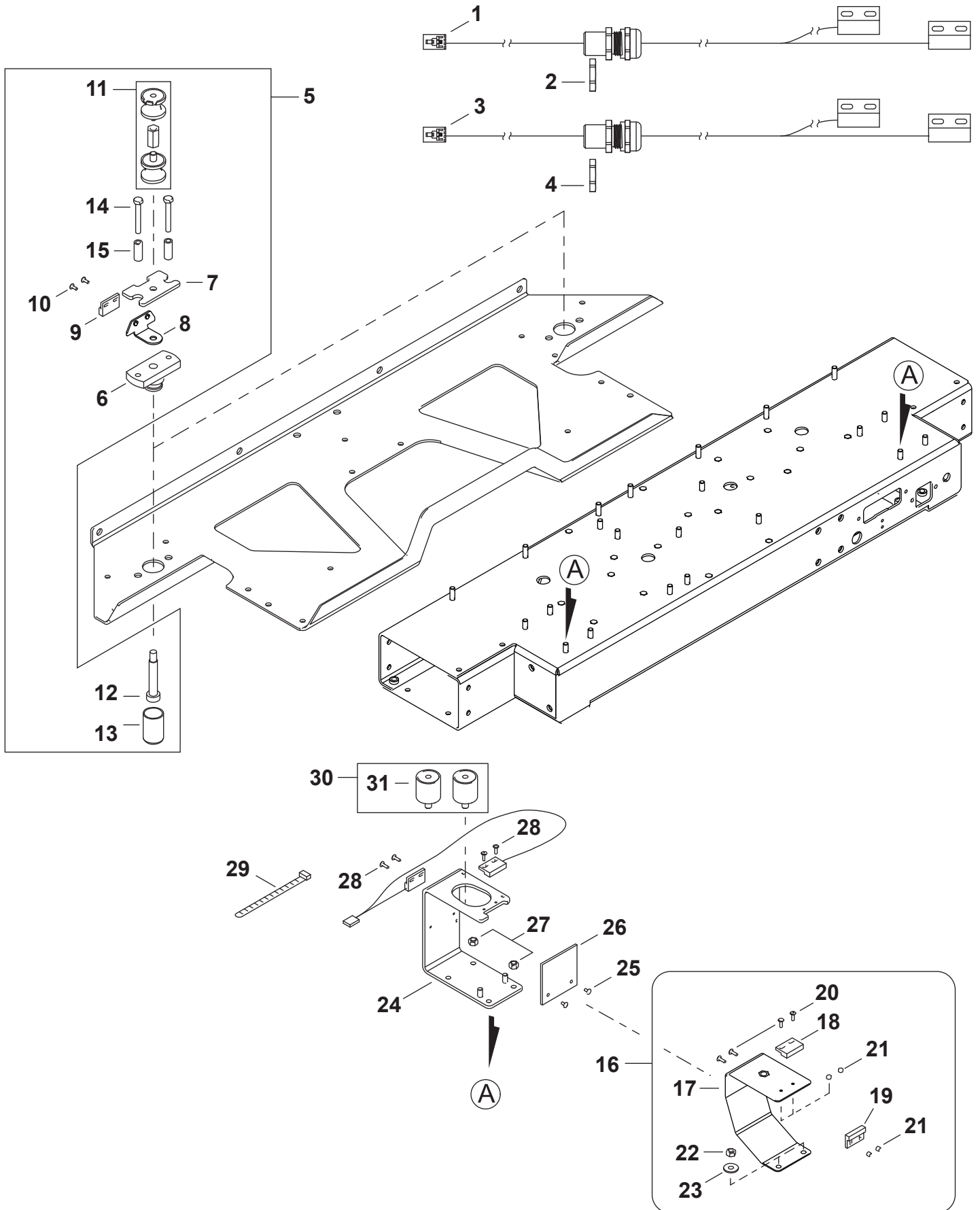
NO.	PART NUMBER	QTY.	DESCRIPTION
1	YB06220015	1	BUMPER KIT - TM-2000
2	YB01900002	1	+BUMPER, RUBBER
3	YB03400006	1	+STRIP, CONTACT
4	YB01600038	2	+CAP, BUMPER
5	YB50105023	11	+SCREW M5X23.1
6	YB00000033	13	+FIXTURE, BUMPER
7	YB52855032	2	+SCREW ST5.5X32
44	YB50305010	2	+SCREW M5X10
45	YB70105000	2	+WASHER M5 TOOTHED
46	YB70005000	2	+WASHER M5
47	YB01100005	2	PLUG
8	YB03400007	5	SONAR KIT
9	YB03300021	1	CABLE, STOP BUTTON
10	YB50503016	4	SCREW M3X16
11	YB03300006	1	CABLE, 40 PIN
15	YB01200006	41	FIXTURE, CABLE TIE
16	YB01200031	1	FIXTURE, CABLE TIE - 6MM
17	YB01200033	42	TIE, CABLE
20	YB51705016	2	SCREW M5X16
21	YB51005020	2	SCREW M5X20
22	YB02100002	4	BEARING, SLIDE
23	YB01600007	1	BUTTON, STOP
24	YB03400000	2	MAGNET
25	YB50503012	4	SCREW M3X12
26	YB02300000	2	SPRING, COMPRESSION
27	YB00900000	2	MAGNET
28	YB71216000	2	WASHER M16
29	YB51404016	4	SCREW M4X16
30	YB00000034	1	HINGE, STOP BUTTON
31	YB50305010	2	SCREW M5X10
32	YB53408025	2	SCREW M8X25
33	YB53408055	2	SCREW M8X55
34	YB70508000	4	WASHER M8X28
35	YB01100007	6	PLUG
36	YB01600073	1	BODY, MOWER
37	YB04000005	1	LABEL - ECHO
38	YB04000006	1	LABEL - TURFMOWER/TM-2000
39	YB04000007	1	LABEL, CAUTION - ISO



NO.	PART NUMBER	QTY.	DESCRIPTION
1	YB03300015	1	MOTOR, LIFTING
2	YB00000023	1	COVER, MOTOR
3	YB50305010	4	SCREW M5X10
4	YB70005000	4	WASHER M5
5	YB80006000	3	NUT M6
6	YB70006000	3	WASHER M6
7	YB01200008	1	NUT, CABLE - GRAY M16
8	YB00000024	1	FIXTURE, ANGULAR SENSOR
9	YB03300047	1	CABLE, ANGULAR SENSOR
10	YB50803008	2	SCREW M3X8
11	YB01200008	1	NUT, CABLE - GRAY M16
12	YB00000020	3	BRACKET, STRAP - LONG
13	YB00000021	2	BRACKET, STRAP - SHORT
14	YB51904016	13	BOLT M4X16
15	YB00100002	1	AXLE, LIFTING
16	YB01100000	2	CAP, END
17	YB01300004	2	STOPPER, ROTATION
18	YB50606050	2	SCREW M6X50
19	YB01300005	5	REEL, BELT
20	YB01900000	5	STRAP, NYLON
21	YB50304030	5	SCREW M4X30
22	YB70004000	10	WASHER M4
23	YB80004000	5	NUT M4
24	YB50606050	5	SCREW M6X50
25	YB01300005	1	REEL, BELT
26	YB00300009	1	PULLEY, DRIVING
27	YB01600002	1	SUPPORT, MAGNET
28	YB01900001	1	STRAP, NYLON
29	YB50304030	2	SCREW M4X30
30	YB70004000	4	WASHER M4
31	YB80004000	2	NUT M4
32	YB50606050	1	SCREW M6X50
33	YB50803008	2	SCREW M3X8
34	YB50706008	1	SCREW M6X8
35	YB00300010	5	PIN, LOCKING
36	YB80006000	2	NUT M6
37	YB70006000	2	WASHER M6

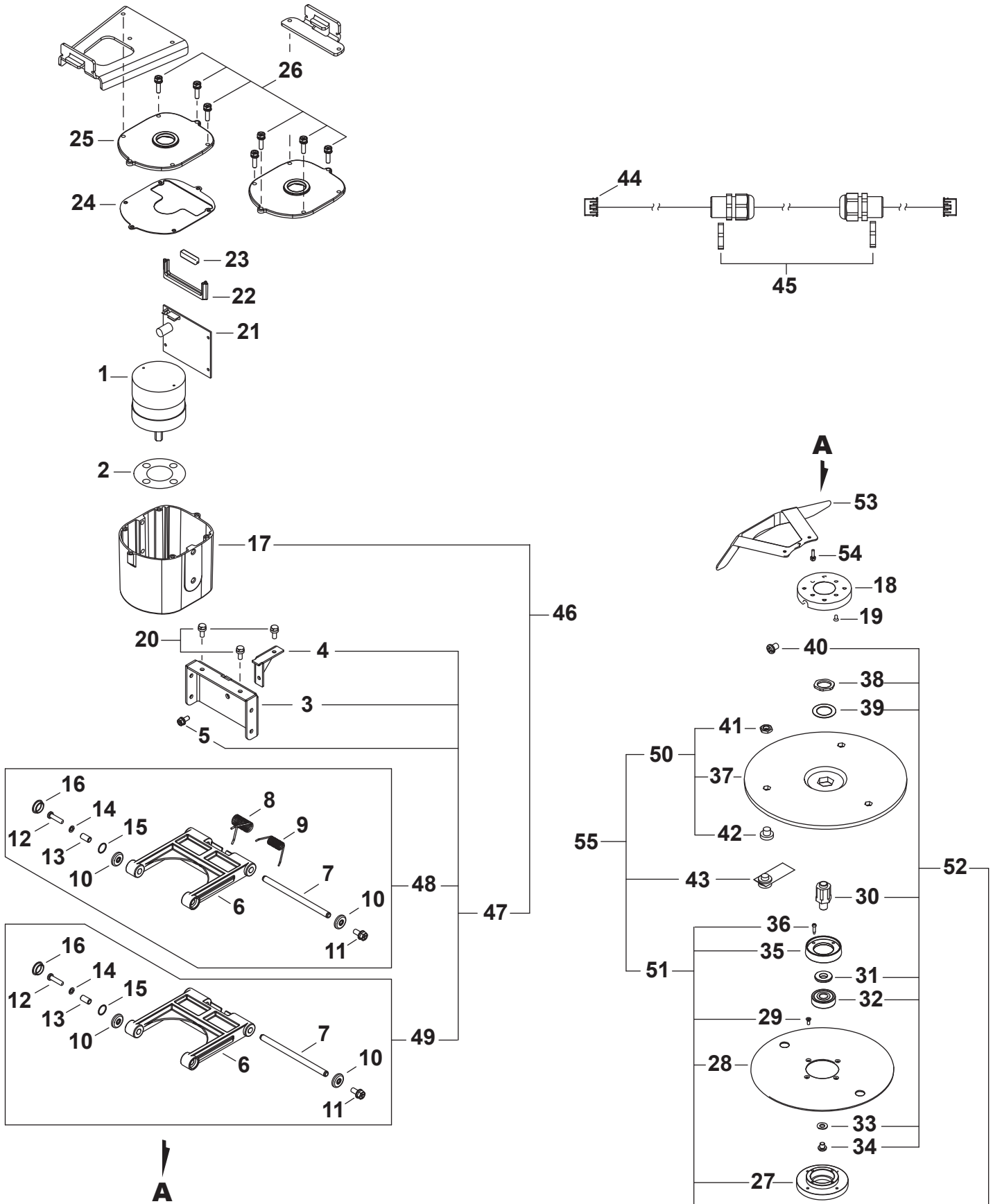


NO.	PART NUMBER	QTY.	DESCRIPTION
1	YB00400000	1	BOX, ELECTRICAL
2	YB04000000	1	LABEL, ON-OFF
3	YB50505016	2	SCREW M5X16
4	YB03300013	1	CABLE, BATTERY
5	YB01200008	1	NUT, CABLE - GRAY M16
6	YB03300004	1	CABLE, CENTRAL COIL
7	YB01200008	1	NUT, CABLE - GRAY M16
12	YB01200007	2	FIXTURE, CABLE TIE - DOUBLE CLIP
15	YB50006022	12	SCREW M6X22
16	YB00000002	1	SUPPORT, BATTERY - RIGHT
17	YB01000003	1	CUSHION - BATTERY
18	YB00000003	1	SUPPORT, BATTERY - LEFT
19	YB01000003	1	CUSHION - BATTERY
20	YB52706016	4	SCREW M6X16
22	YB00000041	1	CROSSBAR, REAR
24	YB70006000	4	WASHER M6
25	YB80006000	4	NUT M6
26	YB01000002	1	MUDFLAP
27	YB00000009	1	PLATE, MUDFLAP
28	YB00000022	1	FIXTURE, SAFETY STRAP
29	YB80006000	7	NUT M6
30	YB70006000	7	WASHER M6
31	YB01500001	1	GASKET, COVER
32	YB00000018	1	COVER, ELECTRICAL BOX
33	YB00000010	1	GUARD, REAR
34	YB50006022	6	SCREW M6X22
35	YB00000011	1	FASTENER, BATTERY
36	YB01000001	1	CUSHION - BATTERY
37	YB03100001	1	BATTERY, LITHIUM
38	YB80006000	2	NUT M6
39	YB70006000	2	WASHER M6

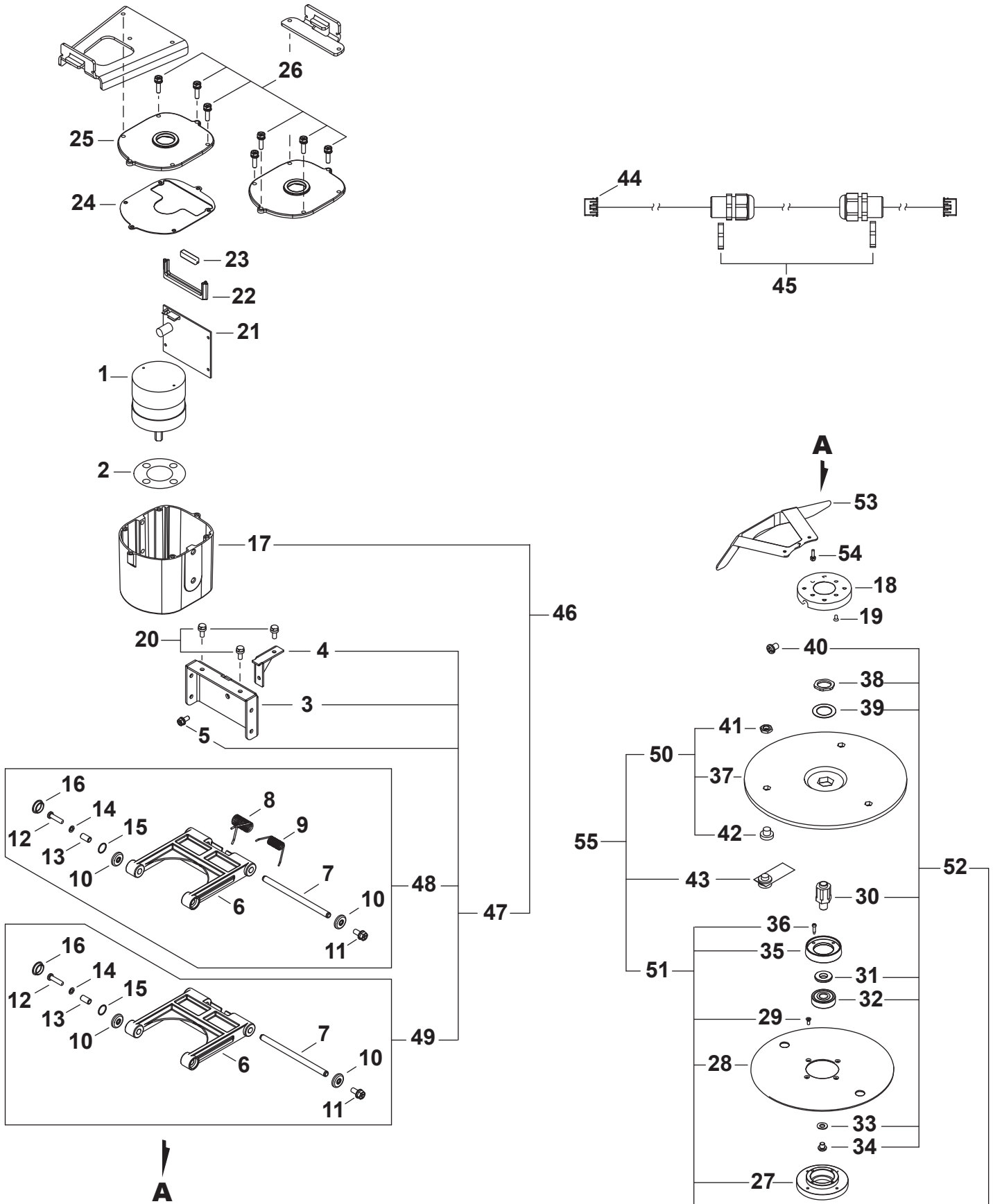


NO.	PART NUMBER	QTY.	DESCRIPTION
1	YB03300035	1	CABLE, REAR - RIGHT
2	YB01200008	1	NUT, CABLE - GRAY M16
3	YB03300008	1	CABLE, REAR - LEFT
4	YB01200008	1	NUT, CABLE - GRAY M16
5	YB06220013	2	LIFT KIT, FRONT
6		2	+SLIDE
7		2	+BASE, SENSOR
8		2	+BRACKET, LIFT SENSOR
9		2	+MAGNET
10		4	+SCREW M3X8
11		1	+CUSHION KIT, FRONT - 2 SETS
12		2	+SCREW M8X50
13		2	+CAP, FLEXIBLE
14		4	+SCREW M6X45
15		4	+COLLAR M6X25
16	YB06220005	2	SPRING KIT, SENSOR
17		2	+SPRING, REAR SENSOR
18		2	+MAGNET
19		2	+MAGNET
20		8	+SCREW M3X10
21		8	+NUT M3
22		4	+NUT M6
23		4	+WASHER M6X18
24	YB00000005	2	BRACKET, REAR SENSOR
25	YB50803006	4	SCREW M3X6
26	YB01000000	2	CUSHION
27	YB80006000	8	NUT M6
28	YB50803008	8	SCREW M3X8
29	YB01200001	6	TIE, CABLE
30	YB06220014	1	CUSHION KIT, REAR
31		2	+CUSHION

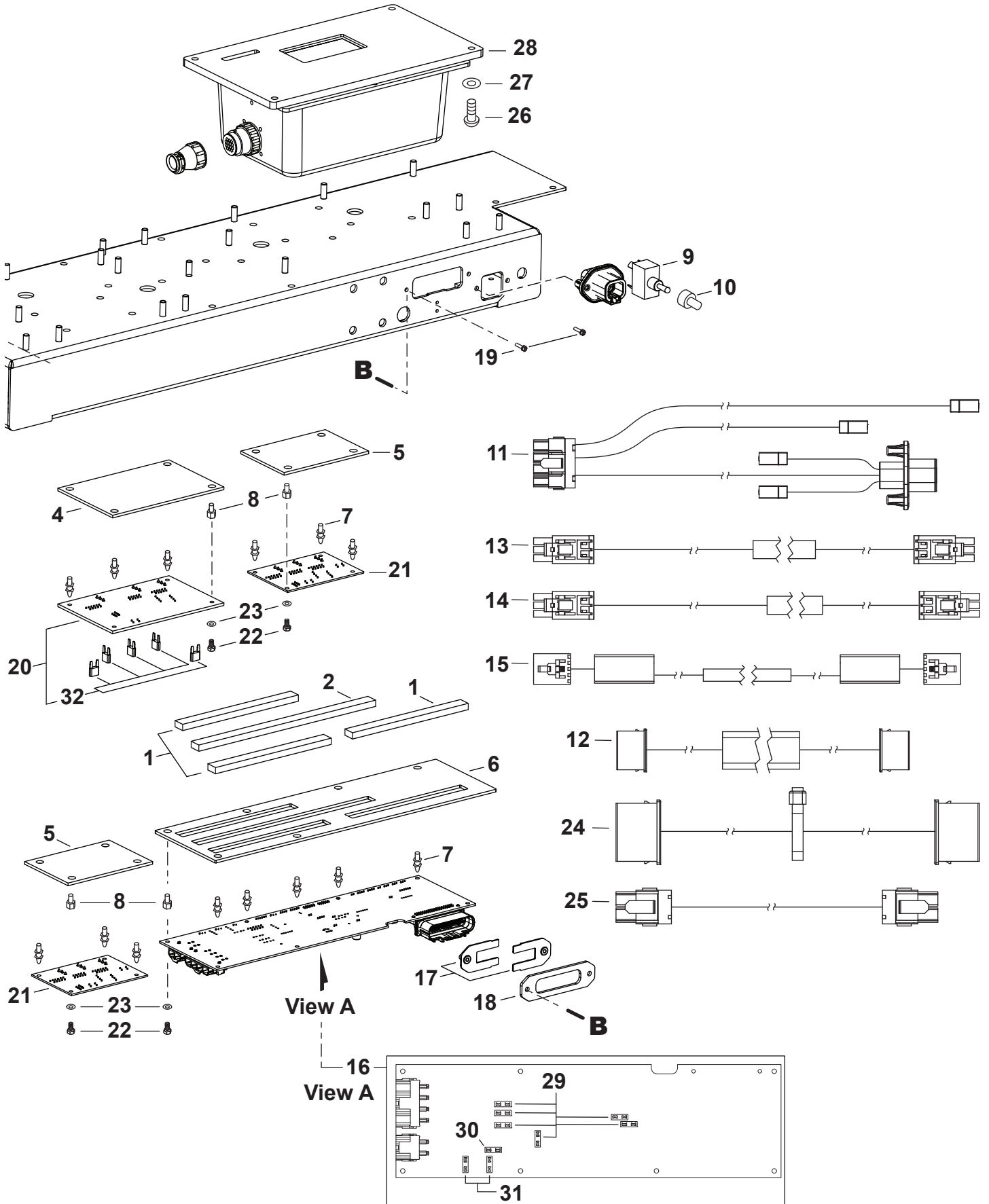
NO.	PART NUMBER	QTY.	DESCRIPTION
1	YB06220028	4	HUB KIT - WHEEL
2		4	+AXLE, WHEEL
3		4	+BEARING, BALL
4		4	+SEAL
5		4	+HUB
6		8	+PIN 3X12
9	YB50229016	16	+SCREW ST2.9X16
12	YB71508000	8	+WASHER M8
14	YB80008000	4	+NUT M8
7	YB00000032	4	SPRING, FRONT SUSPENSION
8	YB01300000	4	FIXTURE, HUB
13	YB02000000	4	WHEEL, FRONT
15	YB52706016	8	SCREW M6X16
16	YB06220011	2	WHEEL KIT, REAR
17	YB01600000	2	+WHEEL, REAR
18	YB01600001	2	+TIRE, REAR
35	YB06220041	2	+KTR KIT
19	YB00200000	2	++CONNECTOR, SHAFT-HUB
20	YB00300057	2	++SPACER
21	YB03000015	2	GEARMOTOR
26	YB00000109	2	SUPPORT, GEARMOTOR
27	YB50305014	8	SCREW M5X14
28	YB00000108	2	PLATE, SEAL - GEARMOTOR
29	YB01500004	2	GASKET, GEARMOTOR
30	YB50404008	8	SCREW M4X8
31	YB01100010	8	CAP, MOTOR PLATE
32	YB00000110	2	WASHER



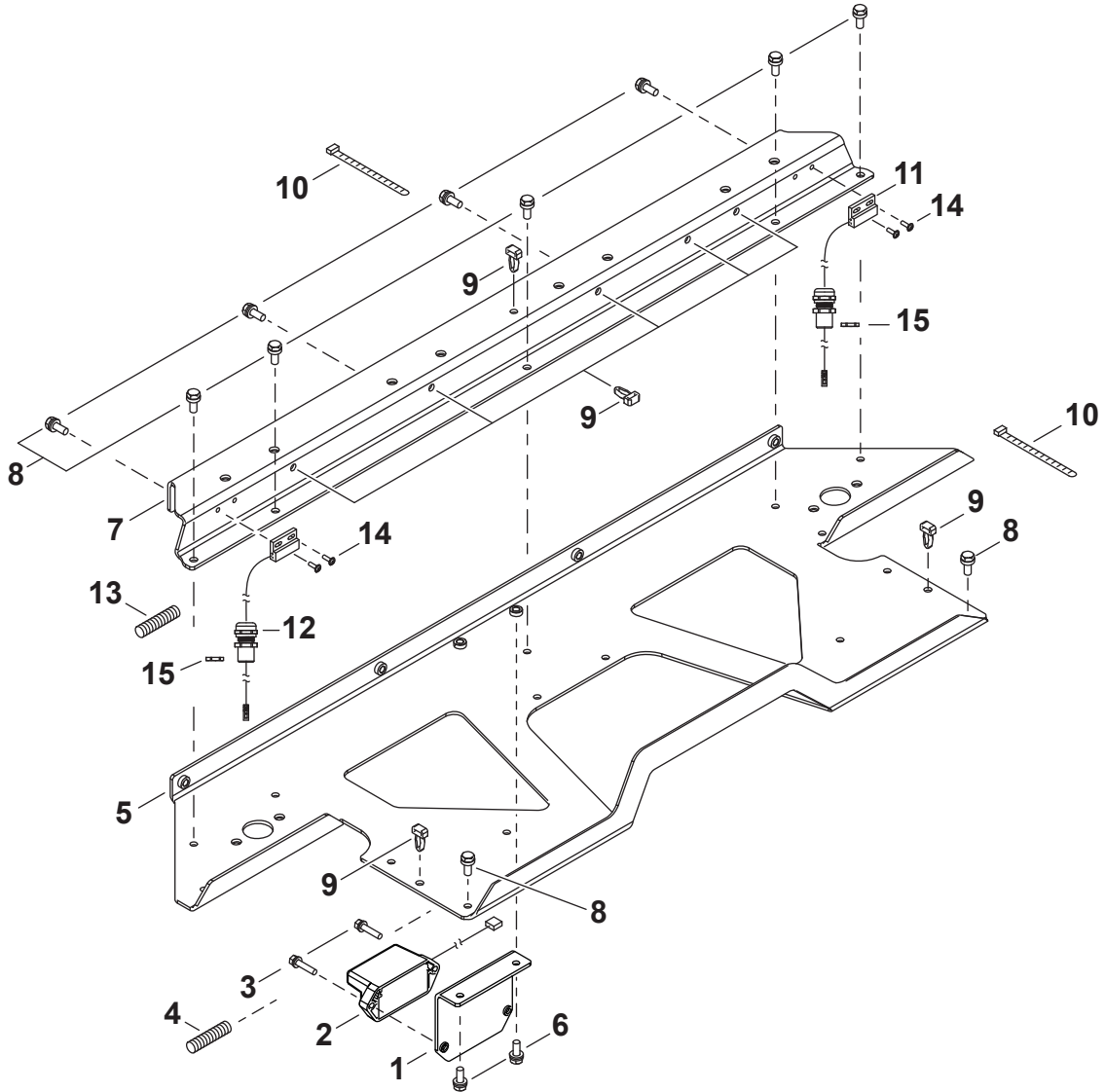
NO.	PART NUMBER	QTY.	DESCRIPTION
1	YB03000001	5	MOTOR, CUTTING HEAD
2	YB01500009	5	GASKET
46	YB06220001	5	CUTTING HEAD KIT WITH CASE
47	YB06220002	5	+CUTTING HEAD KIT WITHOUT CASE
3	YB00000042	5	++BRACKET
4	YB00000044	5	++GUARD
5	YB51806015	5	++BOLT M6X15
48	YB06220009	5	++STAY KIT, UPPER
6	YB01600009	5	+++STAY
7	YB00300013	5	+++SHAFT, ARM
8	YB02300001	5	+++SPRING, TORSION
9	YB02300002	5	+++SPRING, TORSION
10	YB01600015	20	+++CAP
11	YB51806015	10	+++BOLT M6X15
12	YB52306024	10	+++BOLT M6X24
13	YB00300014	10	+++COLLAR
14	YB70706000	10	+++WASHER M6
15	YB01700000	10	+++O-RING
16	YB01600014	10	+++CAP
49	YB06220010	5	++STAY KIT, LOWER
6	YB01600009	5	+++STAY
7	YB00300013	5	+++SHAFT, ARM
10	YB01600015	20	+++CAP
11	YB51806015	10	+++BOLT M6X15
12	YB52306024	10	+++BOLT M6X24
13	YB00300014	10	+++COLLAR
14	YB70706000	10	+++WASHER M6
15	YB01700000	10	+++O-RING
16	YB01600014	10	+++CAP
17		5	+CASE, MOTOR
18	YB01600010	5	GUARD
19	YB52004008	20	SCREW M4X8
20	YB52706016	15	SCREW M6X16
21	YB03200003	5	CARD, CUTTING DRIVE
22	YB01600011	5	CUSHION
23	YB01600012	5	CUSHION
24	YB01500008	5	GASKET
25	YB00600001	5	CAP
26	YB51904016	17	BOLT M4X16



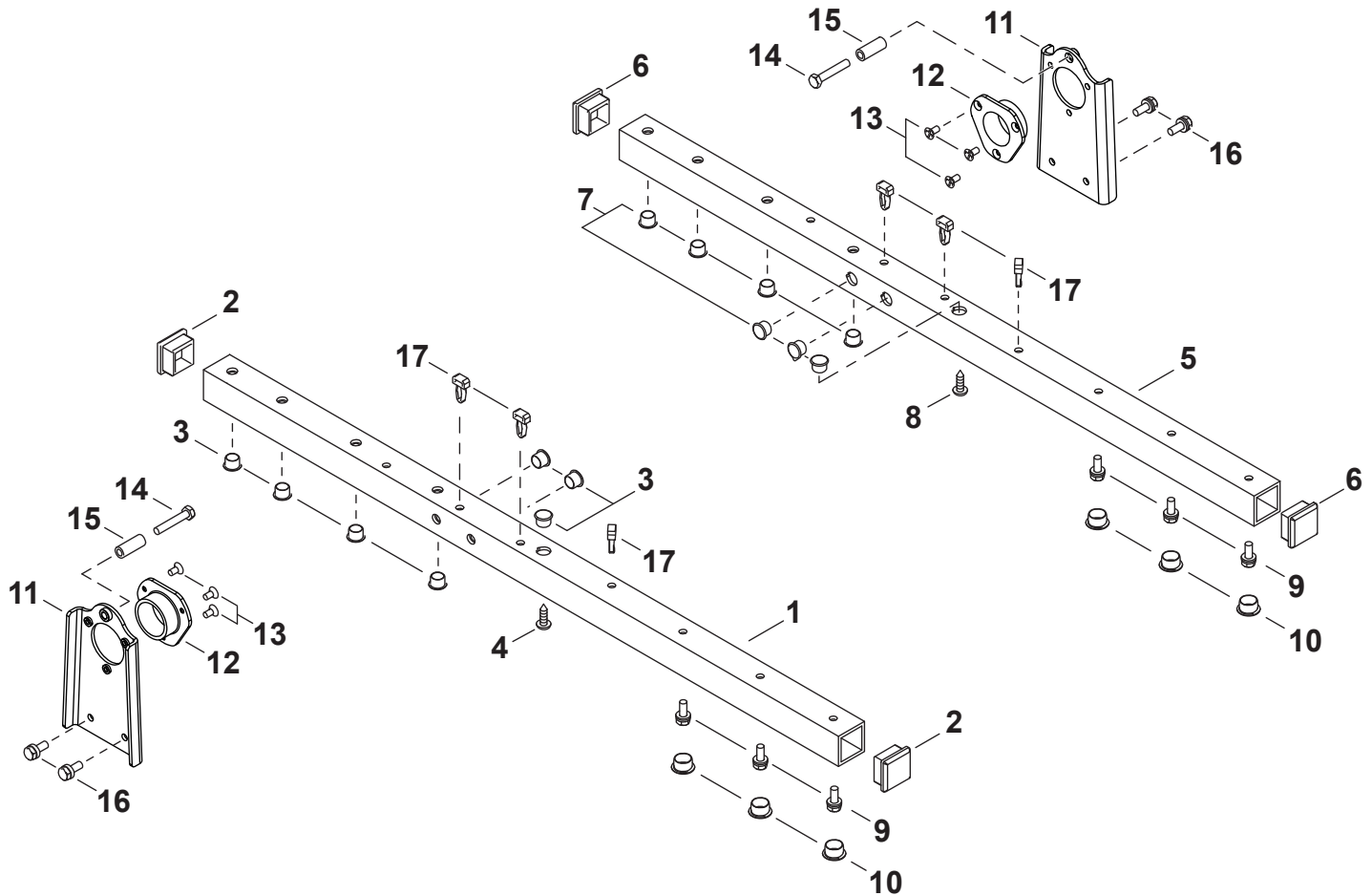
NO.	PART NUMBER	QTY.	DESCRIPTION
55	YB06220033	5	CUTTING DISC KIT WITH BLADES
50	YB06220003	5	+DISK KIT - BLADE
37		5	++DISK, BLADE
41		15	++NUT M8
42		15	++INSERT, CUTTING HEAD
51	YB06220004	5	+DISK KIT, FREE
52		5	++SHAFT & BEARING KIT
30		5	+++SHAFT, CUTTER
31		5	+++COLLAR
32		5	+++BEARING, BALL
33		5	+++WASHER M6
34		5	+++BOLT M6X6
38		5	+++NUT M18
39		5	+++WASHER M18
40		5	+++SCREW M6X8
27		5	++CAP, BOTTOM
28		5	++DISK, ANTI-FRICTION
29		20	++SCREW M3X8
35		5	++CAP
36		20	++SCREW M3X12
43	YB06220026	1	+BLADE SET - 15 PIECES
44	YB03300001	5	CABLE, CUTTING HEAD MOTOR
45	YB01200014	10	NUT, CABLE - GRAY M20
53	YB00000026	2	GUARD, DISC SAFETY
54	YB51104008	4	SCREW M4X8



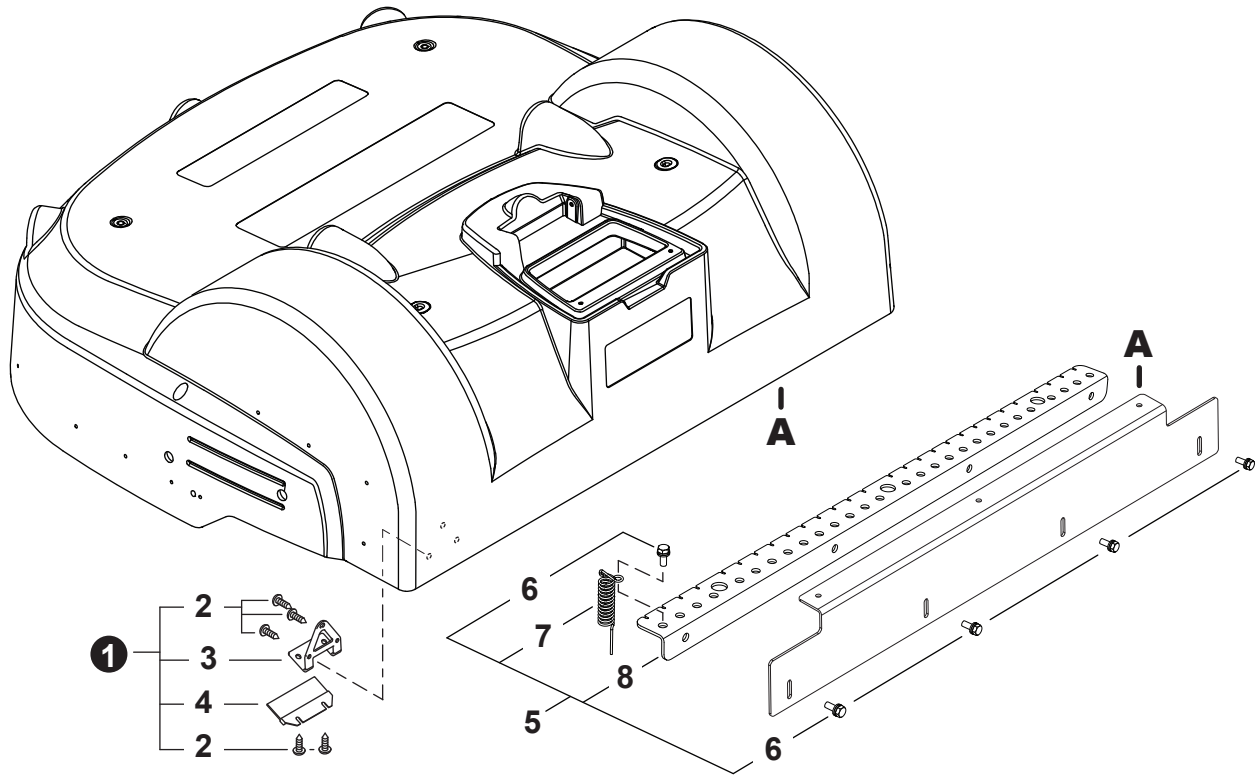
NO.	PART NUMBER	QTY.	DESCRIPTION
1	YB01200045	3	DUCT, CABLE - 15 CM
2	YB01200046	1	DUCT, CABLE - 23 CM
4	YB01500002	1	GASKET, FOAM - CONTROL CARD
5	YB01500003	2	GASKET, FOAM - DRIVE CARD
6	YB01000010	1	GASKET, FOAM - PERIPHERAL BOARD
7	YB01200013	14	SUPPORT, PCB
8	YB00200002	4	SPACER 6 MM M/F
9	YB03500000	1	SWITCH, MAIN
10	YB03500004	1	CAP, SEALING
11	YB03300018	1	CABLE, POWER SUPPLY - PERIPHERAL BOARD
12	YB03300032	1	CABLE, SIGNAL MOTOR - LEFT
13	YB03300043	1	CABLE, POWER - LEFT
14	YB03300048	1	CABLE, POWER - RIGHT
15	YB03300010	1	CABLE, SIGNAL - CUTTING BOARD
16	YB03200007	1	BOARD, PERIPHERAL
29	YB03900003	6	+FUZE 2A
30	YB03900004	1	+FUZE 5A
31	YB03900005	2	+FUZE 15A
17	YB00000031	2	CONNECTOR, 40 PIN
18	YB01500006	1	SEAL, CONNECTOR
19	YB51904016	2	BOLT M4X16
20	YB03200005	1	CARD SET, CUTTING CONTROL
32	YB03900004	5	+FUZE 5A
21	YB03200004	2	DRIVE CARD, TRACTION
22	YB50604006	4	SCREW M4X6
23	YB70104000	4	WASHER M4
24	YB03300031	1	CABLE, SIGNAL MOTOR - RIGHT
25	YB03300009	1	CABLE, POWER - CUTTING BOARD
26	YB50305016	4	SCREW M5X16
27	YB71105000	4	WASHER M5
28	ES06121000	1	SMARTBOX



NO.	PART NUMBER	QTY.	DESCRIPTION	
1	YB00000008	1	SUPPORT, COIL	
2	YB03400008	1	COIL KIT	
3	YB50105023	2	SCREW M5X23.1	
4	YB01200043	1	SLEEVE, COILED	
5	YB00000000	1	PLATE, FRONT	
6	YB52706016	2	SCREW M6X16	
7	YB00000001	1	CROSSBAR, FRONT	
8	YB52706016	12	SCREW M6X16	
9	YB01200006	8	FIXTURE, CABLE TIE	
10	YB01200033	14	TIE, CABLE	
11	YB03300011	1	CABLE, FRONT LIFT - RIGHT	
12	YB03300012	1	CABLE, FRONT LIFT - LEFT	
13	YB01200041	1	SLEEVE, COILED	
14	YB50803010	4	SCREW M3X10	
15	YB01200008	2	NUT, CABLE - GRAY M16	



NO.	PART NUMBER	QTY.	DESCRIPTION
1	YB00100000	1	SOLEBAR, LEFT
2	YB01100002	2	PLUG
3	YB01100003	7	PLUG
4	YB01100007	1	PLUG
5	YB00100001	1	SOLEBAR, RIGHT
6	YB01100002	2	PLUG
7	YB01100003	7	PLUG
8	YB01100007	1	PLUG
9	YB52706016	6	SCREW M6X16
10	YB01100005	6	PLUG
11	YB00000019	2	SUPPORT, TUBE - 30MM
12	YB01300003	2	BEARING
13	YB50404008	6	SCREW M4X8
14	YB50306035	2	SCREW M6X35
15	YB90206025	2	COLLAR M6X25
16	YB52706016	4	SCREW M6X16
17	YB01200006	6	FIXTURE, CABLE TIE



NO.	PART NUMBER	QTY.	DESCRIPTION
1	YB06200004	1	WHEEL BRUSH KIT
2	YB52706016	10	+SCREW M6X16
3	YB00000043	2	+HOLDER, BRUSH
4	YB00300007	2	+BRUSH, WHEEL
5	YB06200013	1	GROOMER KIT
6	YB52706016	32	+SCREW M6X16
7	YB00300008	28	+SPRING, GROOMER
8	YB00000015	1	+SUPPORT, GROOMER