

ACCESSORIES

Ball Drop Relay BDR100

Inductive Coil M114000040

Bulk Wire:

Blue Wire Qty. 1,000 ft.CGPWBLU1000

White Wire Qty. 1,000 ft.CGPWWHT1000

Yellow Wire. Qty. 1,000 ft. CGPWYEL1000

PARTS CATALOG
Charging Station



CGSL21AF1C
Station Loop plus 2-Zones

SERIAL NUMBER

R01100000001 - R01100999999

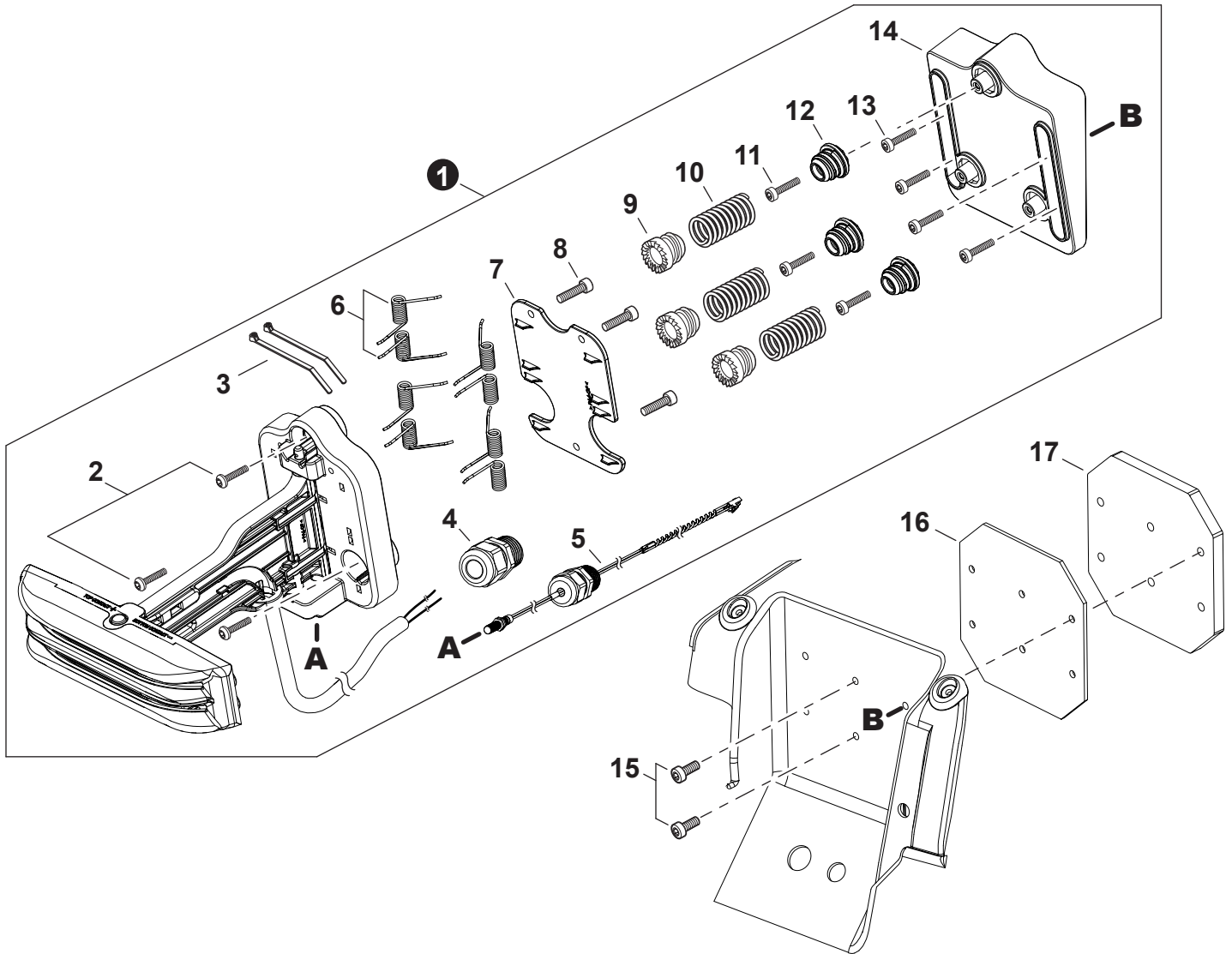
ECHO Incorporated

400 Oakwood Road, Lake Zurich, Illinois 60047

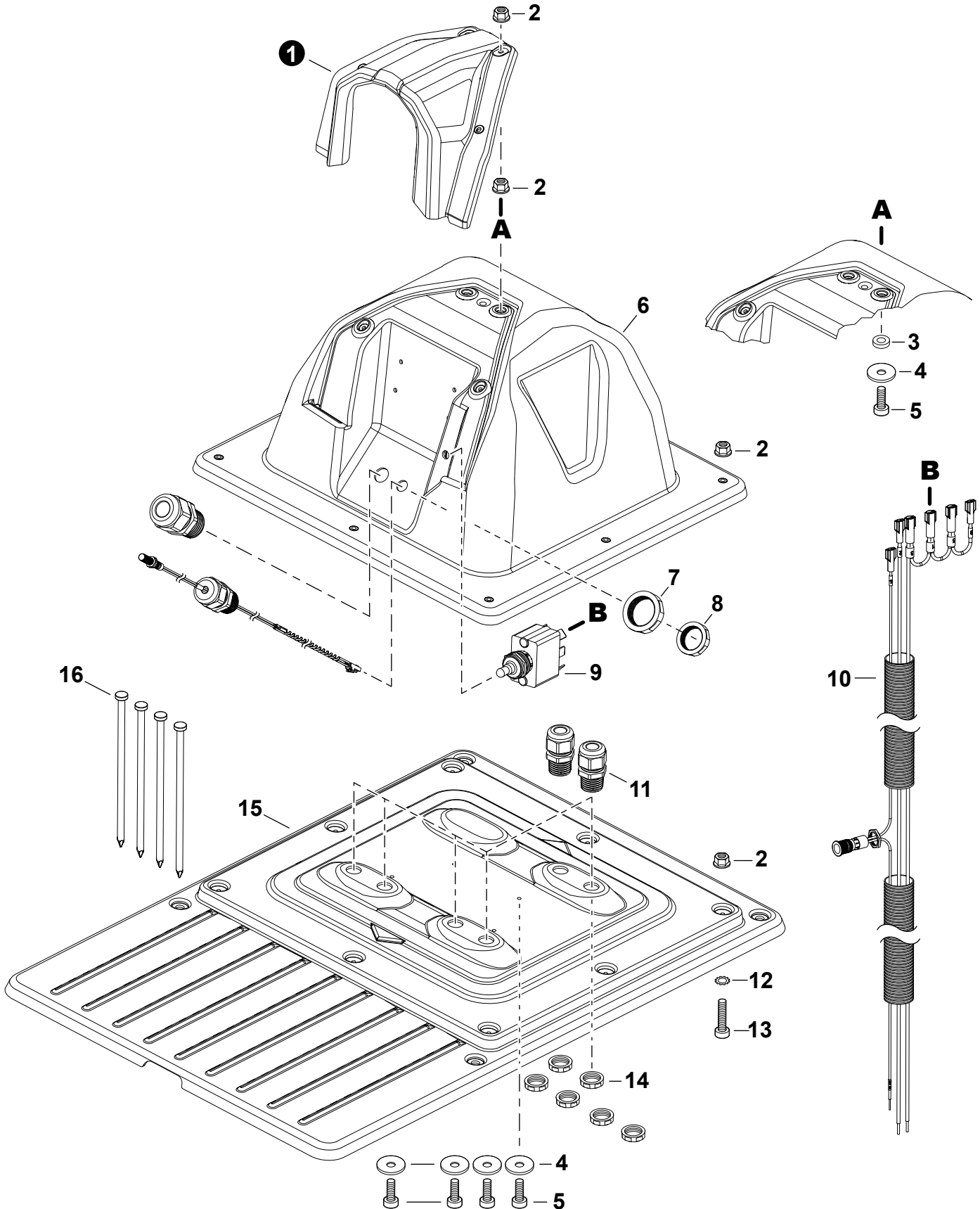
WWW.ECHO-USA.COM



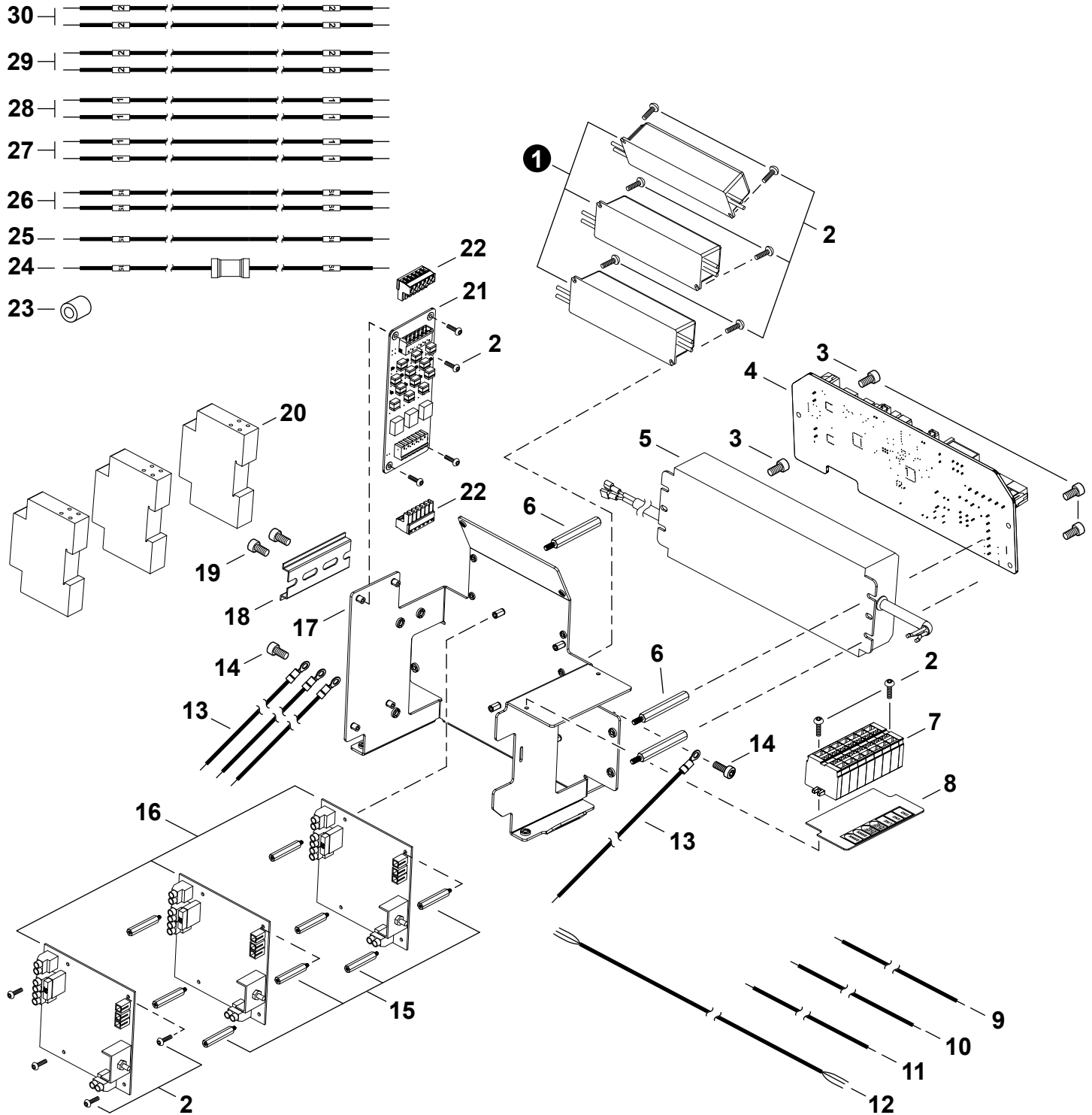
Charging Arm.....	3
Station Enclosure	4
Station Enclosure	5
Electronics.....	6
Electronics.....	7
Indicator Panel.....	8
Tools.....	9



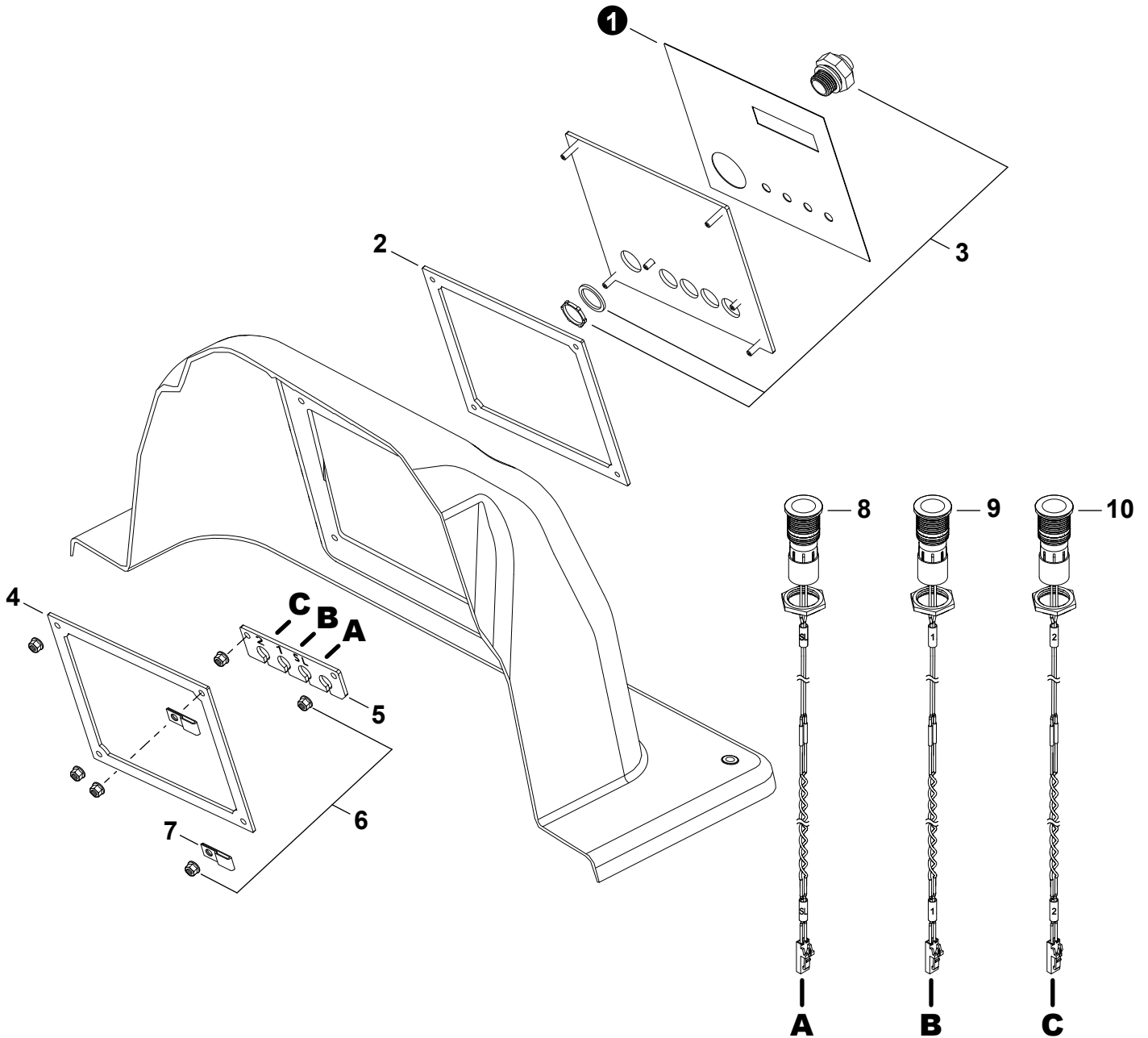
NO.	PART NUMBER	QTY.	DESCRIPTION
1	P021054140	1	CHARGING ARM KIT
2	V805000230	3	+BOLT, TORX M5X25
3	V495003710	2	+TIE, CABLE
4	V139000140	1	+GROMMET, CABLE - BLACK 1/2"
5	C130001010	1	+HARNESS, WIRE - CHARGING ARM
6	P021052980	4	+SPRING SET, TORSION
7	C557000580	1	+PLATE, PROTECTION
8	V805000240	3	+BOLT, TORX M5X12
9	V456000271	3	+HOLDER, SPRING
10	V450000780	3	+SPRING, COMPRESSION
11	V805000010	3	+BOLT, TORX M5X20
12	V456000260	3	+HOLDER, SPRING
13	V805000360	4	+BOLT, TORX M5X30
14	C623000260	1	+BRACKET, MOUNTING
15	V805000150	2	BOLT, TORX M5X16
16	V109000370	1	GASKET, MOUNTING
17	V150004600	1	PLATE, MOUNTING



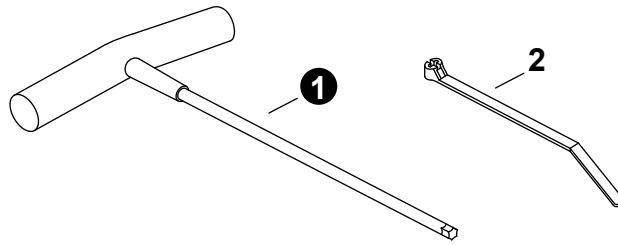
NO.	PART NUMBER	QTY.	DESCRIPTION
1	J139000520	1	COVER, DEBRIS
2	V263000550	24	NUT M5
3	V322000060	4	WASHER M4
4	V303000390	8	WASHER M5
5	V805000160	8	BOLT, TORX M5X20
6	C127000020	1	COVER, STATION
7	K493000050	1	NUT, GROMMET - BLACK 1/2"
8	K492000010	1	NUT, GROMMET - BLACK 3/8"
9	A440003100	1	SWITCH, ON/OFF
10	C130001000	1	HARNESS, WIRE - ON/OFF SWITCH
11	V139000160	6	GROMMET, CABLE - GRAY 1/2"
12	V340000580	8	WASHER, LOCK
13	V805000360	8	BOLT, TORX M5X30
14	K493000060	6	NUT, GROMMET - GRAY 1/2"
15	C127000060	1	BASE, STATION
16	K312000300	4	SPIKE



NO.	PART NUMBER	QTY.	DESCRIPTION
1	G015000440	3	INVERTER, CONTROL BOARD
2	V250000040	16	SCREW M3X8
3	V804000040	4	BOLT, TORX M4X10
4	A047000440	1	BOARD, POWER CONTROL
5	G015000360	1	INVERTER, POWER
6	V376002830	3	SPACER, CONTROL BOARD
7	P021052970	1	TERMINAL SET, BLOCK
8	X532005480	1	LABEL, OPERATION
9	V485003330	1	LEAD - GREEN, 150 MM
10	V485003290	1	LEAD - BLUE, 150 MM
11	V485003310	1	LEAD - BROWN, 150 MM
12	C130001120	1	HARNESS, WIRE - 355MM
13	V485003690	4	LEAD - GROUND, GREEN
14	V805000140	2	BOLT, TORX M5X12
15	V375001080	8	SPACER, CONTROL BOARD
16	A047000410	3	BOARD, CONTROL
17	A250000600	1	BRACKET, CONTROL
18	C628000310	1	RAIL, DIN
19	V805000130	2	BOLT, TORX M5X10
20	C137000550	3	PROTECTOR, SURGE
21	A047000500	1	BOARD, CONTROL
22	C152001200	2	CONNECTOR - MALE
23	M122000000	1	CORE - EMI SUPPRESSION
24	M114000050	1	COIL, INDUCTOR
25	V485003650	1	LEAD, SURGE - SL - RED
26	V485003680	2	LEAD, FILTER - SL - RED
27	V485003630	2	LEAD, SURGE - ZONE 1 - RED 550 MM
28	V485003660	2	LEAD, FILTER - ZONE 1 - RED
29	V485003640	2	LEAD, SURGE - ZONE 2 - RED
30	V485003670	2	LEAD, FILTER - ZONE 1 - RED



NO.	PART NUMBER	QTY.	DESCRIPTION
1	X505011450	1	LABEL, CAUTION - ISO
2	V109000380	1	GASKET, PANEL
3	V139000150	1	CONNECTOR, CONDUIT - GRAY 1/2"
4	K262000080	1	BRACKET, MOUNTING
5	G386000030	1	PLATE, INDICATOR
6	V263000550	6	NUT M5
7	V490001670	2	CLIP, CABLE TIE
8	C130001022	1	HARNESS, WIRE - LED SL
9	C130001032	1	HARNESS, WIRE - LED 1
10	C130001042	1	HARNESS, WIRE - LED 2



NO.	PART NUMBER	QTY.	DESCRIPTION
1	X603000080	1	DRIVER, T-27 TORX
2	V495003710	11	TIE, CABLE